

Gross Power
133 HP (99 kW) / 2,200 rpm

Net Power
130 HP (97 kW) / 2,200 rpm

Bucket Capacity
1.7 m³ (2.20 yd³)

Operating Weight
11,960 kg (26,370 lb)

HL930A™

With EU Stage V Engine installed

▲ HYUNDAI CONSTRUCTION EQUIPMENT

Head Office(Sales Office)

3F, Bundang First Tower, 55 Bundang-ro, Bundang-gu, Seongnam-si, Gyeonggi-do, 13591, Korea

Americas Operation : Hyundai Construction Equipment Americas, Inc.

6100 Atlantic Boulevard Norcross Ga 30071 U.S.A
TEL (1) 847-678-823-7802 FAX (1) 847-678-823-7778

Europe Operation : Hyundai Construction Equipment Europe N.V.

Hyundailaan 4,
3980 Tessenderlo, Belgium
TEL (32) 14-56-2200 FAX (32) 14-59-3405

PLEASE CONTACT



SPECIFICATIONS

ENGINE	
Maker / Model	CUMMINS / B4.5 / EU Stage V
Type	4-cycle, turbocharged charge aircooled, direct injection, electronic controlled, diesel engine.
Gross Power (SAE J1995)	133 HP (99 kW) at 2,200 rpm
Net Power (SAE J1349)	130 HP (97 kW) at 2,200 rpm
Max. Power	133 HP (99 kW) at 2,200 rpm
Peak Gross Torque (SAE J1995)	633 N·m (467 lb.ft) at 1,200 rpm
Displacement	4.5 l (275 cu in)
Cooling method	Water Cooling
Number of cylinders and arrangement	4 cylinders, in line
Firing order	1-5-3-6-2-4
Combustion chamber type	Direct injection type
Cylinder bore x stroke	114 x 145 mm (4.5" x 5.7")
Compression ratio	17.2 : 1
Engine oil quantity	11 l (2.9 U.S. gal)
Wet weight	378 kg (833 lb)
Starter motor	24V - 4.8kW
Alternator	24V - 95Amp
Battery	2 x 12V x 100Ah

HYDRAULIC SYSTEM (MAIN PUMP)	
Type	Load sensing hydraulic system
Pump	Variable displacement piston pump
Rated oil quantity	132 l /min (34.9 U.S. gpm)
Control Valve	2 Spool (Bucket, Boom) 3 Spool (Bucket, Boom, Aux)
System Pressure	250 bar (3,626 psi)
Lift Circuit	The valve has four functions: Raise / Hold / Lower / Float adjustable automatic kickout from horizontal to full lift.
Tilt Circuit	The valve has three functions: Tilt back / Hold / Dump adjustable automatic bucket positioner to desired load angle.
Cylinder	Type: double acting No. of cylinders-bore x stroke Lift 2-100 x 750 mm (3.9" x 2' 6") Tilt 2-90 x 775 mm (3.5" x 2' 7")
Cycle Time	Raise : 5.8 Sec. / Dump : 2.2 Sec. Lower : 3.6 Sec. / Total : 11.6 Sec.

* Hyundai Bio Hydraulic Oil (HBHO) available

TRANSMISSION		
Model	ZF 4WG 130	
4-speed transmission Type	Torque Converter Type	3-Elements, Single-stage, Single-phase
	Transmission	Full-automatic power shift
Travel Speed	4 speed T/M km/h (mph)	
Forward	1st	6.6 (4.1)
	2nd	12.1 (7.5)
	3rd	23.6 (14.7)
	4th	39.5 (24.5)
Reverse	1st	7.0 (4.3)
	2nd	12.7 (7.9)
	3rd	24.8 (15.4)
Brake Distance	130 m	(42' 8" ft/in)

* This is the maximum travel speed of a standard machine with unfilled bucket.

AXLES	
Drive System	Four-wheel drive system
Mount	Fixed
Rear Axle Oscillation	Oscillating ±11 degrees
Hub Reduction	Planetary reduction at wheel end
Differential	Conventional
Reduction Ratio	20.365

TIRES	
Type	Tubeless, loader design tires
Standard	17.5R25, ★★, L3
Options Include	17.5R25, ★, XHA 17.5-25 12PR L3

BRAKES	
Service Brakes	Hydraulically actuated, wet disc brakes actuate all 4 wheels independent axle-by-axle system. Self adjusting & wheel speed brake.
Parking Brake	Spring-applied, hydraulically released brake
Emergency Brake	When brake oil pressure drops, indicator light alerts operator and parking brake automatically applies.

STEERING SYSTEM (STEERING PUMP)	
Type	Load sensing hydrostatic articulated steering
Pump	Variable displacement piston pump, 132 lpm
System Pressure	210 bar (3,046 psi)
Cylinder	Double acting 2-60 x 412 mm (2.4" x 1' 4")
Steering Angle	40° to both right and left angle, respectively
Features	Center-point frame articulation. Tilt and telescopic steering column.

* Hyundai Bio Hydraulic Oil (HBHO) available

SERVICE REFILL CAPACITIES	
Fuel Tank	189.5 liters (50.1 US gal)
DEF Tank	19.0 liters (5.0 US gal)
Cooling System	31.5 liters (8.3 US gal)
Crankcase	11.0 liters (2.9 US gal)
Transmission	34.5 liters (9.1 US gal)
Front Axle	23.0 liters (6.1 US gal)
Rear Axle	23.0 liters (6.1 US gal)
Hydraulic Tank	90.0 liters (23.8 US gal)
Hydraulic System (Including Tank)	130.0 liters (34.3 US gal)

CABIN	
ROPS / FOPS meet ISO 3471 and ISO 3449	

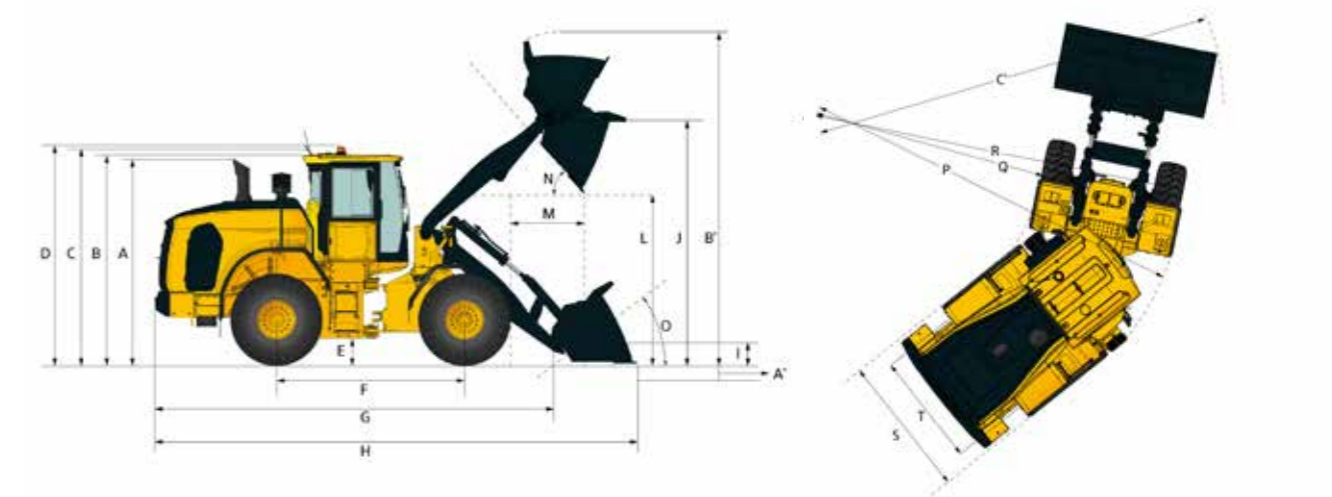
SOUND	
Guaranteed noise level presented below can be differed depending on a range of factors such as operating condition, speed of a cooling fan, types of engine and so forth. Hearing protection shall be necessary if an operator is working in the improperly maintained cabin or exposed to a noisy environment by leaving doors and/or windows open.	
Operator sound pressure level (ISO 6396:2008)	70 dB(A)
Exterior sound power level (ISO 6395:2008)	102 dB(A)

* Distance of 15m (49.2 ft), moving forward in second gear ratio.

OVERVIEW		HL930A TM	
Operating weight	kg (lb)	11,960 (26,370)	
Bucket capacity	Heaped	m³ (yd³)	1.70 (2.20)
	Struck	m³ (yd³)	1.40 (1.80)
Breakout force-bucket	kg (lb)	9,950 (21,940)	
Tipping Load	Straight	kg (lb)	8,100 (17,860)
	Full	kg (lb)	7,050 (15,545)

DIMENSIONS & SPECIFICATIONS

DIMENSIONS



Unit : mm (ft - in)

MODEL	HL930A TM
A Height to Top of Exhaust Pipe	2,945 (9' 8")
B Overall height (Height to Top of Cabin)	3,170 (10' 5")
C Height to Top of Product Link Antenna	3,235 (10' 7")
D Height to Top of Warning Beacon	3,300 (10' 10")
E Ground Clearance	370 (1' 3")
F Wheelbase	2,900 (9' 6")
G Overall Length (Without Bucket)	6,150 (20' 2")
H Shipping Length (With Bucket Level on Ground)	7,230 (23' 9")
I Hinge Pin Height at Carry Position	415 (1' 4")
J Hinge Pin Height at Maximum Lift	3,795 (12' 5")

MODEL	HL930A TM
L Dump Clearance at Maximum Lift and 45° Discharge	2,785 (9' 2")
M Reach at Maximum Lift and 45° Discharge	1,160 (3' 10")
N Dump Angle at Maximum Lift and Dump (on Stops)	50°
O Roll Back Angle	49° Ground 53° Carry
P Clearance Circle (Diameter) to Outside of Tires	10,555 (34' 8")
Q Clearance Circle (Diameter) to Inside of Tires	5,710 (18' 5")
R Turning radius (center of outside tire)	5,050 (16' 7")
S Width Over Tires (Unloaded)	2,375 (7' 10")
T Overall Width (with bucket)	2,400 (7' 10")
T Tread Width	1,930 (6' 4")
Gradeability	30°

OPERATING SPECIFICATIONS WITH BUCKETS

		Tool Master HCE QC	Tool Master ISO QC
		General Purpose - Hook on Bolt - On Cutting Edges	General Purpose - Hook on Bolt-On Cutting Edges
Linkage Bucket Type			
Bucket Type			
Edge Type			
Capacity - Rated	m³ (yd³)	1.7 (2.20)	1.9 (2.50)
Capacity - Rated at 110% Fill Factor	m³ (yd³)	1.9 (2.40)	2.1 (2.70)
Width	mm (ft/in)	2,400 (7' 10")	2,450 (8' 0")
Dump Clearance at Maximum Lift & 45° Discharge	mm (ft/in)	2,785 (9' 2")	2,615 (8' 7")
Reach at Maximum Lift & 45° Discharge	mm (ft/in)	1,160 (3' 10")	1,330 (4' 4")
A' Digging Depth	mm (ft/in)	95 (0' 4")	95 (0' 4")
H Shipping Length (with Bucket)	mm (ft/in)	7,230 (23' 9")	7,470 (24' 6")
B' Overall Height with Bucket at Maximum Lift	mm (ft/in)	4,900 (16' 1")	5,150 (16' 11")
C' Loader Clearance Circle with Bucket at Carry Position	mm (ft/in)	11,640 (38' 2")	11,810 (38' 9")
Static Tipping Load. Straight (No Tire Deflection)	kg (lb)	8,100 (17,860)	7,600 (16,760)
Static Tipping Load. Articulated (No Tire Deflection)	kg (lb)	7,050 (15,545)	6,600 (14,555 lb)
Breakout Force	kg (lb)	9,950 (21,940)	8,090 (17,840)
Operating Weight*	kg (lb)	11,960 (26,370)	12,050 (26,570)

BUCKET SELECTION CHART

DENSITY OF OPERATING MATERIALS		
Loose Material	Material Density [ton / m ³]	
Earth / Clay	1.5 ~ 1.7	
Sand and Gravel	1.5 ~ 1.7	
Aggregate	25 ~ 76 mm (1 " to 3 in)	1.6 ~ 1.7
	19mm (3 in) and Larger	1.8

HL930A TM BUCKET SELECTION CHART

Standard Lift Arm - General Purpose Bucket

Type	m ³ (yd ³)	Material Density [ton / m ³]													
		1.0	1.1	1.2	1.3	1.4	1.5	1.6	1.7	1.8	1.9	2.0	2.1	2.2	2.3
Tool Master HCE QC mounted Cutting edge Cutting edge Q/C	1.7 (2.20)	2.0 m ³ (2.61 yd ³)										1.6 m ³ (2.09 yd ³)			
Tool Master ISO QC mounted Cutting edge	1.9 (2.50)	2.2 m ³ (2.87 yd ³)						1.8 m ³ (2.35 yd ³)							

115% 100% 95%

CHANGE IN OPERATING SPECIFICATIONS - TIRES

Tires		17.5R25, ★, XHA	17.5-25 12PR L3
Operating Weight (kg)	kg	-30	-20
	lb	-65	-40
Static Tipping Load, Straight (No Tire Deflection)	kg	-40	-25
	lb	-85	-55
Static Tipping Load, Articulated (No Tire Deflection)	kg	-35	-20
	lb	-75	-40
Vertical Height Changes	mm	-4	6
	ft/in	-0.2"	0.2"
S. Width Over Tires (Unloaded)	mm	3	5
	ft/in	0.1"	0.2"
P. Clearance Circle (Diameter) to Outside of Tires	mm	3	5
	ft/in	0.1"	0.2"
Q. Clearance Circle (Diameter) to Inside of Tires	mm	-3	-5
	ft/in	-0.1"	-0.2"

** Dimension changes compared to 17.5R25, ★★, L3 radial tires.

STANDARD / OPTION

CAB & INTERIOR	STD	OPT	CAB & INTERIOR	STD	OPT
ALARMS, AUDIBLE AND VISUAL					
Air filter clogging	●				
Battery voltage	●				
Brake oil pressure	●				
DEF low level	●				
Engine coolant level	●				
Engine oil pressure	●				
Fuel level	●				
Hydraulic oil temperature	●				
Engine coolant temperature	●				
Parking brake	●				
Service brake oil pressure	●				
Seat belt ON/OFF	●				
Transmission error	●				
Transmission oil temperature	●				
BATTERIES					
850 CCA, 12 V, 2 pcs	●				
GAUGES					
Diesel Exhaust Fluid (DEF) level	●				
Engine coolant temperature	●				
Fuel level	●				
Speedometer	●				
Transmission oil temperature	●				
Horn, electric	●				
INDICATOR LIGHTS					
Parking brake	●				
High beam	●				
Pilot cut off	●				
Turning light	●				
Seat belt ON/OFF	●				
Engine auto stop	●				
Clutch Cut Off	●				
Ride control		●			
Joystick steering		●			
FNR		●			
Differential Lock		●			
LCD DISPLAY					
DEF level	●				
DEF low level	●				
Transmission gear range	●				
Clock and fault code	●				
Job time and distance	●				
Operating hour counter	●				
Engine rpm	●				
Horn, electric	●				
LIGHTING SYSTEM					
Brake lights(Counterweight)	●				
LED dome light	●				
2 stop and tail lights	●				
4 turn signals	●				
2 Head lights on front tower	●				
2 Head lights (LED) on front tower		●			
2 Working lights on front roof	●				
4 Working lights on front roof		●			
2 Working lights on rear roof		●			
4 Working lights (LED) on front roof		●			
2 Working lights (LED) on rear roof		●			
2 Working lights on grill	●				
2 Working lights (LED) on grill		●			
SWITCHES					
Hazard	●				
DPF	●				
Engine hood open	●				
Parking	●				
Battery master switch	●				
FNR shifter	●				
Pilot cut off	●				
Differential Lock foot switch				●	
Emergency steering				●	
Air compressor				●	
IGNITION					
Key				●	
Button					●
MEMBRANE SWITCHES IN MONITOR					
Main light				●	
Work light				●	
Weighing System				●	
Mirror heat				●	
Auto position				●	
Fine modulation				●	
Rear wiper					●
Auto grease					●
Quick coupler					●
Ride control					●
Beacon light					●
Cam					●
CABIN (SOUND SUPPRESSED)					
ROPS/ FOPS Cabin				●	
Coat hook				●	
Rear view mirrors (1 Inside)				●	
Rear view mirrors (2 Outside, heated)				●	
Steering column, tilt and telescopic				●	
Steering wheel with knob				●	
Roller type sunshade (Front window)				●	
Roller type sunshade (Rear window)					●
Tinted safety glass				●	
One door cabin				●	
Magazine pocket				●	
Radio / USB player				●	
Rubber floor mat				●	
Wrist rest & Armrest				●	
24 V to 12 V DC converter (20 A)				●	
Cigar lighter & ashtray					●
DOOR					
Door and Cabin Locks, One Key				●	
Doors, Service Access (Locking)					●
Doors, Service Access (Remote Control)					●
AUTOMATIC CLIMATE CONTROL					
Air conditioner & heater				●	
Defroster				●	
Intermittent wiper and washer, front and rear				●	
SEAT					
2" Retractable Seat Belt & Adjustable Mechanical Suspension (HEated)				●	
2" Retractable Seat Belt & Adjustable Air Suspension (HEated)					●
3" Retractable Seat Belt & Adjustable Air Suspension (HEated)					●
PERSONAL STORAGE SPACE					
Console Box				●	
Holder, Can and Cup				●	
PEDALS					
One Accelerator Pedal				●	
One Brake Pedal				●	
Dual-Brake Pedal					●
Accel Pedal Without ECO Switch				●	
Accel Pedal With ECO Switch					●

STANDARD / OPTION

MEMO

ENGINE	STD	OPT
Alternator, 95A	●	
Antifreeze	●	
Fuel warmer (Single)	●	
Fan guard	●	
Rain cap, engine air intake	●	
Coolant level sight gauge	●	
Centrifugal air precleaner		●
ENGINE, CUMMINS, B4.5		
EU STAGE V / EPA TIER 4 FINAL	●	
Engine fuel priming pump	●	
Fuel / water separator	●	
Radiator	●	
Engine oil level dipstick gauge	●	
CLEAN EMISSION MODULE		
DOC, DPF and SCR	●	
POWER TRAIN		
Transmission F4 / R3, computer controlled, electronic soft shift, auto-shift and kick-down features included	●	
Torque converter	●	
Transmission oil sight level	●	
Transmission oil cooler	●	
Travel speed limiter (20-40 km/h)	●	
FRONT AXLE		
Open differential	●	
Limited slip differential		●
Hydraulic lock differential		●
REAR AXLE		
Open differential	●	
Limited slip differential		●
BRAKE		
Service brake (Enclosed wet-disk)	●	
Parking brake	●	
TYRES		
17.5R25 L3 ★★	●	
17.5R25, XHA ★		●
17.5-25 L3 12PR		●
HYDRAULIC SYSTEM		
Boom kickout, automatic	●	
Bucket positioner, automatic	●	
Diagnostic pressure taps	●	
Hydraulic oil cooler	●	
Hydraulic oil level sight gauge	●	
EH Control (Joystick)	●	
EH Control (Fingertip)		●
Ride control system		●
Secondary steering system		●
Extra piping-for auxiliary function		●
Quick coupler piping		●
Auto grease system		●
Hyundai Bio Hydraulic Oil (HBHO)		●

SAFETY	STD	OPT
Emergency Stop	●	
Emergency steering		●
Rear View Camera		●
Fire extinguisher		●
Boom safety bar		●
OBJECT DETECTION		
AAVM (AVM + IMOD)		●
Radar + Secondary Monitor		●
OTHER		
Articulation locking bar	●	
Lift and tie-down hooks	●	
Loader linkage, sealed	●	
Vandalism protection caplocks	●	
E-Horn	●	
Tool kit		●
BUCKET		
1.7m ³ Bolt-on Cutting Edge HCE Type Hook On Bucket	●	
1.9m ³ Bolt-on Cutting Edge ISO Type Hook On Bucket		●
COUNTERWEIGHT		
Counterweight	●	
Drawbar with pin	●	
ERGONOMICALLY LOCATED AND SLIP RESISTANT, LEFT & RIGHT		
Handrails	●	
Ladders	●	
Platforms	●	
Steps	●	
GUARDS		
Fenders (Front / Rear)	●	
Crankcase		●
Transmission		●
Mud Guard		●
TELEMETICS		
ECD (Engine connected Diagnostics)	●	
Hi MATE		●

* Standard and optional equipment may vary. Contact your Hyundai dealer for more information. The machine may vary according to International standards.
 * The photos may include attachments and optional equipment that are not available in your area.
 * Materials and specifications are subject to change without advance notice.
 * All imperial measurements rounded off to the nearest pound or inch.