

**Gross Power**  
55 kW (74 HP) at 2,200 rpm

**Net Power**  
54 kW (72 HP) at 2,200 rpm

**Bucket Capacity**  
0.50 ~ 0.61 m<sup>3</sup>

**Operating Weight**  
13,445 kg / 26,640 lb

# HX130A LCR

With EU Stage V Engine Installed

## ▲ HYUNDAI CONSTRUCTION EQUIPMENT

**Head Office(Sales Office)**

3F, Bundang First Tower, 55 Bundang-ro, Bundang-gu, Seongnam-si, Gyeonggi-do, 13591, Korea

**Americas Operation : Hyundai Construction Equipment Americas, Inc.**

6100 Atlantic Boulevard Norcross Ga 30071 U.S.A  
TEL (1) 847-678-823-7802 FAX (1) 847-678-823-7778

**Europe Operation : Hyundai Construction Equipment Europe N.V.**

Hyundailaan 4,  
3980 Tessenderlo, Belgium  
TEL (32) 14-56-2200 FAX (32) 14-59-3405

PLEASE CONTACT



# WHAT'S NEWEST AND BEST

**HX130A LCR**

## THE BEST PRODUCTIVITY AND FUEL EFFICIENCY

- EU STAGE V Engine **NEW**
- Eco Report **NEW**
- Lifting Mode **NEW**
- IPC(Intelligent Power Control) **Upgrade**
- Fuel Rate Information
- Eco Gauge
- Automatic Engine Shutdown

## NEW EXTERIOR DESIGN FOR ROBUSTNESS AND SAFETY

- ROPS / FOG **Option** Cabin
- Reinforced Durability of Upper and Lower Structure and Attachments
- Durable Cooling Module
- High-grade (High-pressure) Hoses

## EASY CONTROL AND COMFORTABLE OPERATION

- Key On Init Work Mode **NEW**
- Cabin Handle Improvement **NEW**
- One Pedal Travel Straight **Option**
- Proportional Auxiliary Hydraulic System **Option**
- 2 Way Proportional RCV & Pedal Control Selection **Option**
- Fine(Cushion/Free) Swing Control **Option**
- Intelligent & Wide Cluster
- OME(Owner Menu Editing)
- Boom/Arm Speed

## THE ULTIMATE SAFE ENVIRONMENT

- Auto Safety Lock **NEW**
- Electronic Swing Parking Brake **NEW**
- AAVM **Option**
- RH Side View Camera **Option**
- Seatbelt Warning Alarm
- Emergency Engine Stop Switch

## SERVICEABILITY AND TELEMATICS

- ECD(Engine Connected Diagnostics) **NEW**
- Hi MATE **Option**
- 2x Longer Lasting Filter (1000hr)
- Improved Routine Maintenance **Upgrade**
- Mobile Fleet App.
- Connected Diagnostics



\* Photo may include optional equipment.

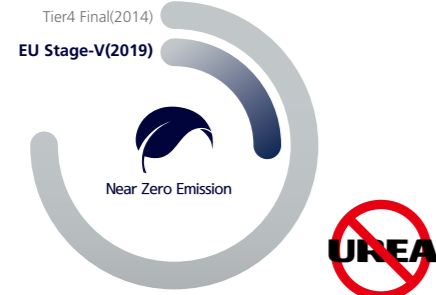


### EU STAGE V CERTIFIED ENGINE

Cummins F3.8 engine is satisfying the most strict environmental emission regulation in the world (Reduction in PM 60%)

### EU STAGE V Engine **NEW**

Now in its fourth decade of continuous improvement, the F3.8 for HX130A LCR features a diesel exhaust fluid(urea) free design same as current model. Increased fuel economy and longer maintenance intervals contribute to a reduced cost of operation.



### Lifting Mode **NEW**

This work mode improves fine operability and lift capability through RPM reduction, power boost action and pump flow control.

### IPC(Intelligent Power Control) **Upgrade**

HX A Series adopts the upgraded IPC system. It is able to optimize pump flow rate and power at the various working condition through the individual pump control. Furthermore, optimized design of MCV and pipe line minimizes energy loss such as conflux and throttle loss.



### ENVIRONMENTALLY FRIENDLY FUEL EFFICIENCY

#### Eco Report **NEW**

It reports the excavator's inefficient operation status and help improving operator's working habit.



#### Fuel Rate Information

Fuel information is displayed as average rate and latest fuel consumed for guiding to economy operating.



#### Eco Gauge

Gauge level changes in accordance with engine working load and color indicates fuel saving-operation status.



#### Automatic Engine Shutdown

Adjustable 'Automatic Engine Shutdown' significantly reduces idle time, overall operating hours and fuel consumption.



# THE BEST PRODUCTIVITY AND FUEL EFFICIENCY

HX A Series is equipped with eco-friendly, high-performance engines that meet the EU Stage V emission requirements.

BETTER FUEL-EFFICIENCY  
(Compared to HX Series at P mode)



\* Photo may include optional equipment.



# NEW EXTERIOR DESIGN FOR ROBUSTNESS AND SAFETY

The true value of HX A Series lies in its durability and high productivity. The robust upper and lower frame structure can endure external shock and heavy work loads. Attachment performance has been proven through rigorous field testing. No matter how tough the working environment is, you can always rely on the HYUNDAI Excavator HX A Series.



We make the best performance in rough working conditions without any unsureness with trustworthy HX130A LCR.

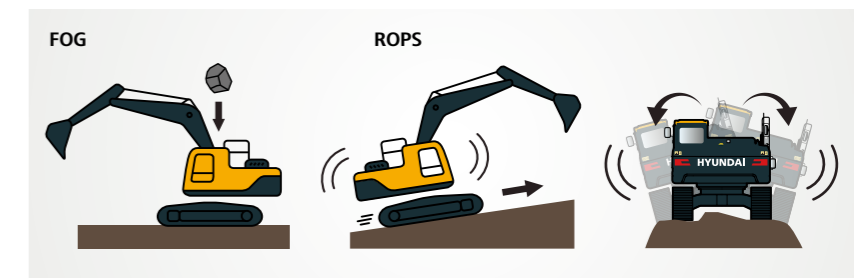


HX A Series is equipment with eco-friendly, high-performance engines that meet the EU Stage V emission requirement. Become a true leader on the ground with HX A Series.

## ROPS / FOG Cabin

The cabin structure of Hyundai HX A Series is using integrally welded low-stress, high strength steel to meet ROPS and FOG certification.

- ROPS : Roll-Over Protective Structures ISO12117-2
- FOG : Falling Object Guard, ISO10262 Level2 **Option**



## Reinforced Durability of Upper and Lower Structure and Attachments

The upper and lower structure and attachments of HX A Series have higher durability than demanded on the site, as proven through numerous tests including road tests and virtual simulation. The wear resistance of the bucket has been improved by use of new material.



## Durable Cooling Module

HX A Series has a durable cooling module that passed stringent tests, demonstrating the highest productivity in tough working environments.

## Hi-grade (High-pressure) Hoses

The HX A Series uses high-pressure hoses with improved heat and pressure resistance, greatly increasing the durability of the equipment.



# EASY CONTROL AND COMFORTABLE OPERATION

Many electronic functions are concentrated in the most convenient spot for operators to improve work efficiency. The highly-advanced infotainment system, a product of HCE's intensive information technology development, enables both productivity and comfort while working! HX A Series is designed with the operator in mind.

## Intelligent & Wide Cluster

The 8" capacitive-type display(like smart-phone display) of HX A Series is delivering excellent legibility. The centralized switches on the display allow convenience of checking the urea level and temperature outside the cabin.

## Front Side Air-Vent



## One Pedal Travel Straight Option

One pedal straight travel is available for customers' convenience when long distance traveling or combination of attachment work with traveling is necessary.



## Proportional Auxiliary Hydraulic System Option

Proportional control switch with better speed control helps operators to enlarge the operation convenience whenever they do time-consuming work. And this function can be switched with pedal valve in cluster setting menu.

## Key On Init Work Mode NEW

Operator can maintain previously set about attachment mode when starting.



## Cabin Handle Improvement NEW

Handle design on the cabin door is improved and offers better convenient while operator get on and off the cabin.

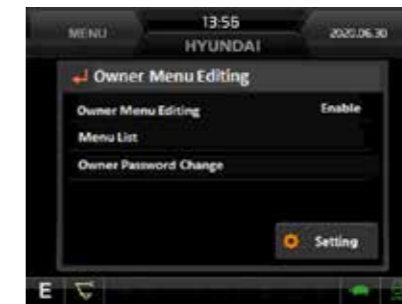


## Fine Swing Control Option

This option enables smooth movement at the start and stop of swing operation (Cushion Swing). In addition, it reduces the shaking of the weight when lifting operation(Free Swing).

## OME(Owner Menu Editing)

The Owner of machine can restrict operators access the set of functions. In the menu, Owner can set the list of the function to lock or unlock it. It is necessary to input the password to access the set of function.



## Boom/Arm Speed

Boom-up speed compared to swing speed can be adjusted by activating/deactivating boom priority function. Arm-in speed can be also tuned by activating/deactivating arm regeneration function.



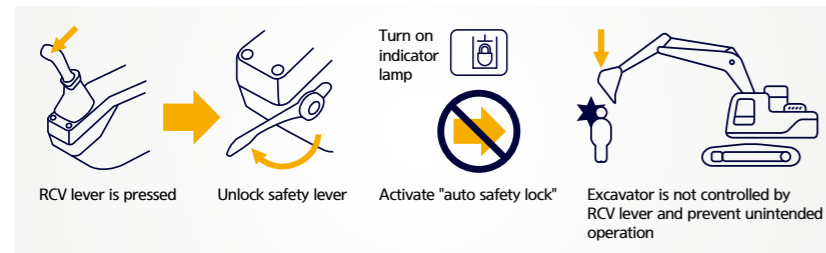
## // HX130A LCR with advanced technology ensures our safety on a construction site. //



HX A Series excavators are products of HCE's spirit of initiative, creativity, and strong drive. HCE engineers, who are the best in the industry, have worked tirelessly to offer a zero-defect product. The new HX A Series reflects customers' needs in the field gleaned by thorough monitoring.

### Auto Safety Lock **NEW**

It prevents unintended operation. If operator unlock safety lever when RCV lever is pressed, excavator is not controlled by RCV lever.



### Electronic Swing Parking System **NEW**

An electronic valve and control system is applied to improve safety and utilization. The opening and closing time of the swing brake valve is controlled according to the sensing and control system.

### AAVM(Advanced Around View Monitoring) Camera System **Option**

HX A Series has a state-of-the-art AAVM video camera system to secure field of vision for operators in all directions, thereby preventing accidents. Operators can easily check the workplace in the front and rear and to the right and left.

- **AAVM**(Advanced Around View Monitoring) : Secure field of vision in all directions by ten views including 3D bird's eye view and 2D/4CH view.
- **IMOD**(Intelligent Moving Object Detection) : Inform when people or dangerous objects are detected within the range of operation(recognition distance : 5 m).



\* Rear & RH view camera option is also available.

### Seatbelt Warning Alarm

If the seatbelt is not buckled when the ignition key is turned, an alarm is triggered in intervals along with a continuous visual alert. This emphasises our priority for operator safety. Emergency Engine Stop Switch Manual engine stop switch behind the seat is used for emergency stop. It can be reached from outside of cabin.

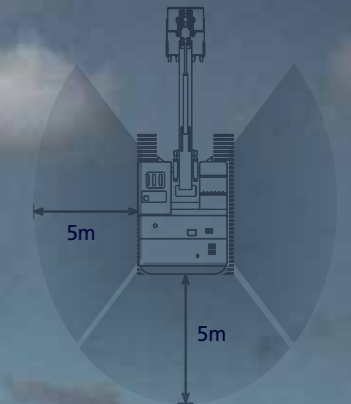
### Emergency Engine Stop Switch

Manual engine stop switch behind the seat is used for emergency stop. It can be reached from outside of cabin.



# THE ULTIMATE SAFE ENVIRONMENT

The true value of HX A Series lies in its durability. The robust frame structure and the attachments show the real value of HX A Series in tough working environments and promise higher productivity.



\* AAVM (OPTION APPLIED)



\*Photo may include optional equipment.



# SERVICEABILITY AND TELEMATICS

IoT / ICT / AI-based digital technology. Creating a smart construction site. Maximizes connectivity, productivity, and safety for successful businesses.



## Hi MATE

Option

### IT'S CONVENIENT, EASY AND VALUABLE

Hi MATE Hyundai's newly developed remote management system, utilizes GPS-satellite technology to provide customers with the highest level of service and product support available. Hi MATE enables users to remotely evaluate machine performance, access diagnostic information, and verify machine locations at the touch of a button.

### WHAT IS BENEFITS



#### Increase Productivity

It helps you operate machines in efficient. You can check the difference between total engine hours and actual working hours. See how productive your machines are and plan any required cost saving solutions. Hi MATE offers working information such as working / idling hours, fuel consumption and rate.



#### Convenient and Easy Monitoring

There is nothing much to do to monitor your machines. Just log on to the Hi MATE website or mobile application. Hi MATE allows you to watch your machines whenever and wherever you are.



#### Security

Protect your machines from theft or unauthorized usage with Hi MATE. If the machine moves out of the Geofence boundary, you will get alerts.

### ECD(Engine Connected Diagnostics) **NEW**

It supports service technician with remote diagnostics report and ensure it arrive on site with proper tools after preparing in advance.



### 2x Longer Lasting Filter (1000hr)

The length of product life period is improved from 500 hours to 1,000hours. (When using CK-4 E/G Oil)

- Engine Oil
- Engine Oil Filter
- Pre-filter
- Fuel Filter

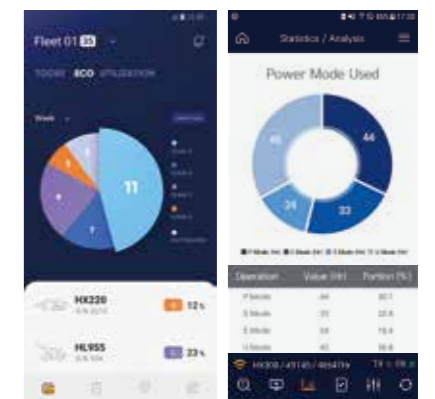


### Improved Routine Maintenance

Easy access for maintenance means regular checks get done faster, giving you more uptime and reducing operating costs. Ground-line access to filters, lube fittings and master switch makes service more convenient on HX A Series.

### Mobile Fleet App.

The new Mobile App is optimized to fleet management. It provides productivity, health insights based on telematics technology and enables fleet owner just focus on most wanted equipment in view of economical usage, utilization, fault codes and maintenance. The new Mobile App sorts equipment in order of eco-index, utilization-index and fault code level automatically so that urgent equipment pops up automatically.



Hi MATE Fleet App HCE-DT AIR App

### Connected Diagnostics

HCE-DT Air connect you and your equipment wirelessly via smartphone and laptop right on site. You can diagnose root causes and troubleshoot for fault codes through the connection. Engine connected diagnostics is a kind of cooperated remote diagnostics service between Cummins cloud and Hi MATE cloud. It enables you get engine diagnostics report by cloud based fault code analysis in real-time and prepare parts, tools necessary in advance. It will help increase first visit fix rates.

\*Photo may include optional equipment.

# SPECIFICATIONS

## ENGINE

Maker / Model	Cummins F3.8
Type	4-cycle, turbocharged, charge air cooled, electronic controlled diesel engine
Gross Power (SAE J1995)	55 kW (74 HP) at 2,200 rpm
Net Power (SAE J1349)	54 kW (72 HP) at 2,200 rpm
Max. Power	55 kW (74 hp) at 2,200 rpm
Peak Torque	400 N · m (295 lb · ft) at 1,300 rpm
Displacement	3.8 ℓ (229 cu in)

## HYDRAULIC SYSTEM

<b>MAIN PUMP</b>	
Type	Variable displacement tandem axis piston pumps
Max. Flow	2 × 123.5 ℓ /min (32.6 U.S. gpm)
<b>PILOT PUMP</b>	
Type	Fixed displacement gear pump single stage
Max. Flow	27 ℓ /min (7.1 U.S. gpm)

## HYDRAULIC MOTORS

Travel	Variable displacement axial piston motor
Swing	Two fixed displacement axial piston motor

## RELIEF VALVE SETTING

Implement Circuits	330 kgf/cm <sup>2</sup> (4,700 psi)
Travel	350 kgf/cm <sup>2</sup> (4,980 psi)
Power Boost (Boom, Arm, Bucket)	360 kgf/cm <sup>2</sup> (5,130 psi)
Swing Circuit	280 kgf/cm <sup>2</sup> (3,990 psi)
Pilot Circuit	40 kgf/cm <sup>2</sup> (569 psi)

## HYDRAULIC CYLINDERS

No. of Cylinder Bore X Stroke	Boom : 2-∅100 × 1,015 mm
	Arm : 1-∅110 × 1,070 mm
	Bucket : 1-∅100 × 855 mm
	Blade : 2-∅100 × 240 mm
	2PCS 1st : 2-∅100 × 975 mm 2nd : 1-∅145 × 613 mm

\* Hyundai Bio Hydraulic Oil (HBHO) available.

## DRIVES & BRAKES

Drive Method	Fully hydrostatic type
Drive Motor	Axial piston motor, in-shoe design
Reduction System	Planetary reduction gear
Max. Drawbar Pull	11,948 kgf (26,340 lbf)
Max. Travel Speed (High / Low)	3.0 km/hr (1.9 mph) / 5.2 km/hr (3.2 mph)
Gradeability	35° (70%)
Parking Brake	Multi wet disc

## CONTROL

Pilot pressure operated joysticks and pedals with detachable lever provide almost effortless and fatigueless operation.

Pilot Control	Two joysticks with one safety lever (LH) : Swing and arm, (RH) : Boom and bucket
Traveling and Steering	Two levers with pedals
Engine Throttle	Electric, dial type

## SWING SYSTEM

Swing Motor	Two fixed displacement axial piston motor
Swing Reduction	2-stage planetary
Swing Bearing Lubrication	Grease-bathed
Swing Brake	Multi wet disc
Swing Speed	12.4 rpm

## COOLANT & LUBRICANT CAPACITY

	liter	US gal
Fuel Tank	240	64.4
Engine Coolant	24.5	6.47
Engine Oil	30	7.9
Swing Device	3.5	0.9
Final Drive	2.3	0.6
Hydraulic System (Including Tank)	160	42.2
Hydraulic Tank	96	25.3

## UNDERCARRIAGE

The X-leg type center frame is integrally welded with reinforced box-section track frames. The undercarriage includes lubricated rollers, idlers, track adjusters with shock absorbing springs and sprockets, and a track chain with double or triple grouser shoes.

Center Frame	X - Leg Type
Track Frame	Pentagonal Box Type
No. of Shoes on Each Side	43 EA
No. of Carrier Roller	2 x 1 EA
No. of Track Roller	2 x 6 EA
No. of Rail Guard	2 EA

## OPERATING WEIGHT (APPROXIMATE)

Operating weight, including 4,300 mm(14' 1") boom, 2,260 mm(7' 5") arm, SAE heaped 0.58 m<sup>3</sup>(0.76 yd<sup>3</sup>) bucket, lubricant, coolant, full fuel tank, full hydraulic tank, and all standard equipments.

## OPERATING WEIGHT

Shoes		Operating Weight		Ground Pressure
Type	Width mm(in)	kg (lb)		kgf/cm <sup>2</sup> (psi)
Triple Grouser	500 (20")	HX130A LCR	13,265 (29,240)	0.44 (6.26)
		HX130A LCR (Rubber pad)	13,420 (29,590)	0.44 (6.22)
		HX130A LCRD (Rubber pad)	14,090 (31,060)	0.47 (6.64)
	600 (24")	HX130A LCR	13,445 (29,640)	0.37 (5.28)
		HX130A LCR (HD grouser)	13,770 (30,360)	0.38 (5.4)
		HX130A LCRD (HD grouser)	14,275 (31,470)	0.39 (5.6)
700 (28")	HX130A LCR	13,605 (29,990)	0.32 (4.58)	
	HX130A LCR (HD grouser)	13,970 (30,800)	0.33 (4.71)	
	HX130A LCRD (HD grouser)	14,445 (31,850)	0.34 (4.86)	

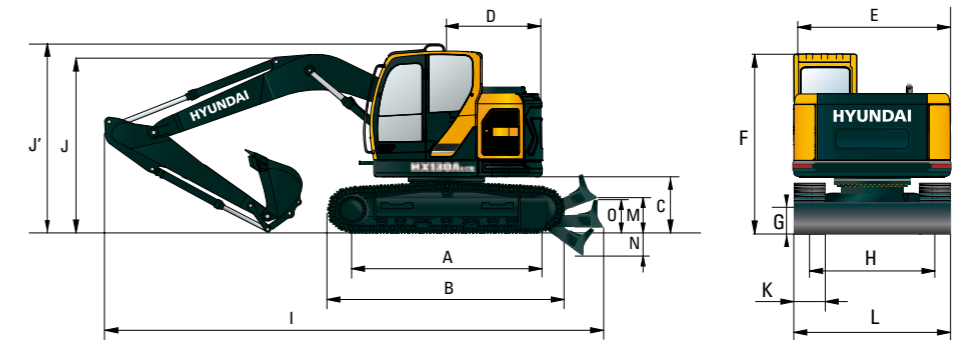
## AIR CONDITIONING SYSTEM

The air condition system for the machine contains the fluorinated greenhouse gas with global warming potential of R134a. (Global Warming Potential : 1,430) The system hold 0.75 kg refrigerant consisting of a CO<sub>2</sub> equivalent of 1.07 metric tonnes. For more information, Please refer to the manual.

# DIMENSIONS & WORKING RANGE

## HX130A LCR / HX130A LCRD MONO BOOM

4.30 m (14' 1") BOOM and 1.96 m (6' 5"), 2.26 m (7' 5"), 2.81 m (9' 3") ARM



Unit : mm (ft-in)

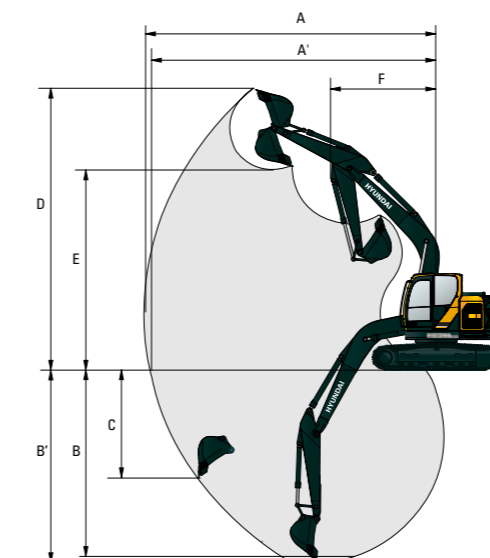
A Tumbler Distance	2,780 (9' 1")
B Overall Length of Crawler	3,497 (11' 6")
C Ground Clearance of Counter Weight	900 (2' 11")
D Tail Swing Radius	1,520 (5' 0")
D' Rear-End Length	1,520 (5' 0")
E Overall Width of Upper Structure	2,485 (8' 2")
F Overall Height of Cab	2,860 (9' 5")
G Min. Ground Clearance	435 (1' 5")
H Track gauge	1,990 (6' 6")
J' Overall Height of Guardrail	3,080 (10' 1")

Boom Length	4,300 (14' 1")		
Arm Length	1,960 (6' 5")	2,260 (7' 5")	2,810 (9' 3")
I Overall Length	6,820 (22' 5")	6,850 (22' 6")	6,805 (22' 4")
**I Overall Length	7,585 (24' 11")	7,615 (25' 0")	7,570 (24' 10")
*J Overall Height of Boom	2,570 (8' 5")	2,760 (9' 1")	3,080 (10' 1")
K Track Shoe Width	500 (20")	600 (24")	700 (28")
L Overall Width	2,490 (8' 2")	2,590 (8' 6")	2,690 (8' 10")
**M Ground clearance of blade up	550 (1' 10")		
**N Depth of blade down	515 (1' 8")		
**O Height of blade	575 (1' 11")		

\* This figure includes the size of grousers.  
\*\* With dozer blade option.

## HX130A LCR / HX130A LCRD WORKING RANGE

Unit : mm (ft-in)



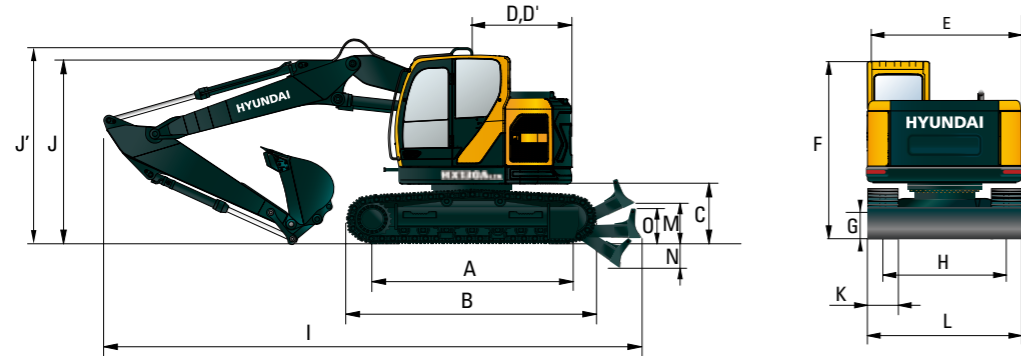
Boom Length	4,300 (14' 1")		
Arm Length	1,960 (6' 5")	2,260 (7' 5")	2,810 (9' 3")
A Max. Digging Reach	7,470 (24' 6")	7,745 (25' 5")	8,270 (27' 2")
A' Max. Digging Reach on Ground	7,310 (24' 0")	7,600 (24' 11")	8,140 (26' 8")
B Max. Digging Depth	4,790 (15' 9")	5,090 (16' 8")	5,640 (18' 6")
B' Max. Digging Depth (8' Level)	4,530 (14' 10")	4,860 (15' 11")	5,450 (17' 11")
C Max. Vertical Wall Digging Depth	4,330 (14' 10")	4,630 (15' 2")	5,170 (17' 11")
D Max. Digging Height	7,975 (26' 2")	8,165 (26' 9")	8,540 (28' 0")
E Max. Dumping Height	5,530 (18' 2")	5,710 (18' 9")	6,090 (20' 0")
F Min. Swing Radius	2,275 (7' 6")	2,340 (7' 8")	2,470 (8' 1")



# DIMENSIONS & WORKING RANGE

## HX130A LCR / HX130A LCRD 2-PIECE BOOM DIMENSIONS

4.56 m (14' 11") 2-Piece BOOM and 1.96 m (6' 5"), 2.26 m (7' 5") ARM



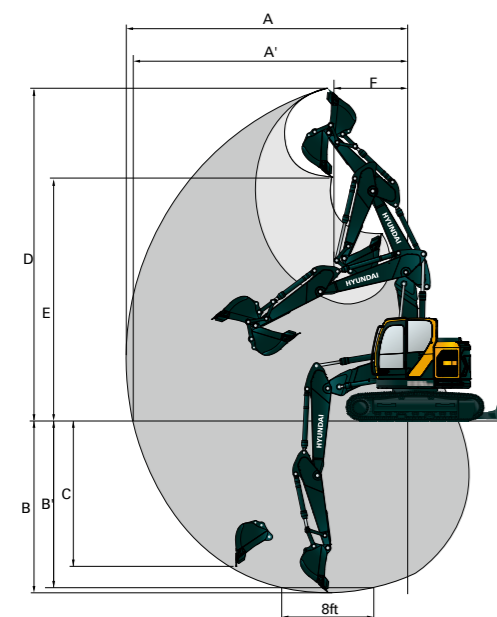
Unit : mm (ft-in)

A Tumbler Distance	2,780 (9' 1")	Boom Length	4,560 (14' 11")		
B Overall Length of Crawler	3,497 (11' 6")	Arm Length	1,960 (6' 5")	2,260 (7' 5")	
C Ground Clearance of Counter Weight	900 (2' 11")	I Overall Length	7,100 (23' 4")	7,090 (23' 3")	
D Tail Swing Radius	1,520 (5' 0")	**I Overall Length	7,865 (25' 10")	7,855 (25' 9")	
D' Rear-End Length	1,520 (5' 0")	*J Overall Height of Boom	2,835 (9' 4")	3,000 (9' 10")	
E Overall Width of Upper Structure	2,485 (8' 2")	K Track shoe width	500 (20")	600 (24")	700 (28")
F Overall Height of Cab	2,860 (9' 5")	L Overall Width	2,490 (8' 2")	2,590 (8' 6")	2,690 (8' 10")
G Min. Ground Clearance	435 (1' 5")	**M Ground clearance of blade up	550 (1' 10")		
H Track gauge	1,990 (6' 6")	**N Depth of blade down	515 (1' 8")		
J Overall Height of Guardrail	3,080 (10' 1")	**O Height of blade	575 (1' 11")		

\* This figure includes the size of grousers.  
\*\* With dozer blade option.

## HX130A LCR / HX130A LCRD 2-PIECE BOOM WORKING RANGE

Unit : mm (ft-in)



Boom Length	4,560 (14' 11")	
Arm Length	1,960 (6' 5")	2,260 (7' 5")
A Max. Digging Reach	7,770 (25' 6")	8,060 (26' 5")
A' Max. Digging Reach on Ground	7,630 (25' 0")	7,920 (26' 0")
B Max. Digging Depth	4,980 (16' 4")	5,280 (17' 4")
B' Max. Digging Depth (8' Level)	4,860 (15' 11")	5,160 (16' 11")
C Max. Vertical Wall Digging Depth	4,370 (14' 4")	4,680 (15' 4")
D Max. Digging Height	8,650 (28' 5")	8,880 (29' 2")
E Max. Dumping Height	6,160 (20' 3")	6,390 (21' 0")
F Min. Swing Radius	2,220 (7' 3")	2,430 (8' 0")

# LIFTING CAPACITY

Rating over-front Rating over-side or 360 degree

## HX130A LCR MONO BOOM

4.30 m (14' 1") boom, 1.96 m (6' 5") arm equipped with 2,100kg counter weight and 600mm(24") Triple grouser shoe without Dozer.

Lift-point height (m/ft)	Lift-point radius								At max. reach		
	1.5 m (4.9 ft)		3.0 m (9.8 ft)		4.5 m (14.8 ft)		6.0 m (19.7 ft)		Capacity	Reach	
											m (ft)
6.0 m (19.7 ft)	kg								*2,620	*2,620	4.21
	lb								*5,780	*5,780	(13.8)
4.5 m (14.8 ft)	kg				*3,340	3,060			*2,310	2,240	5.42
	lb				*7,360	6,750			*5,090	4,940	(17.8)
3.0 m (9.8 ft)	kg		*5,290	*5,290	*3,920	2,930	*2,450	1,860	*2,270	1,850	6.03
	lb		*11,660	*11,660	*8,640	6,460	*5,400	4,100	*5,000	4,080	(19.8)
1.5 m (4.9 ft)	kg		*7,380	5,000	4,080	2,760	2,630	1,810	*2,390	1,720	6.22
	lb		*16,270	11,020	8,990	6,080	5,800	3,990	*5,270	3,790	(20.4)
0.0 m (0.0 ft)	kg		*7,210	4,820	3,950	2,650	2,590	1,780	2,570	1,760	6.04
	lb		*15,900	10,630	8,710	5,840	5,710	3,920	5,670	3,880	(19.8)
-1.5 m (-4.9 ft)	kg	*5,310	*5,310	7,800	4,820	3,930	2,620		2,980	2,030	5.44
	lb	*11,710	*11,710	17,200	10,630	8,660	5,780		6,570	4,480	(17.9)
-3.0 m (-9.8 ft)	kg			*6,500	4,950				*4,350	2,940	4.26
	lb			*14,330	10,910				*9,590	6,480	(14.0)

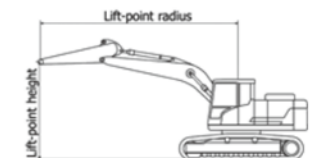
4.30 m (14' 1") boom, 1.96 m (6' 5") arm equipped with 2,100kg counter weight and 600mm(24") Triple grouser shoe with Dozer Up.

Lift-point height (m/ft)	Lift-point radius								At max. reach		
	1.5 m (4.9 ft)		3.0 m (9.8 ft)		4.5 m (14.8 ft)		6.0 m (19.7 ft)		Capacity	Reach	
											m (ft)
6.0 m (19.7 ft)	kg								*2,620	*2,620	4.21
	lb								*5,780	*5,780	(13.8)
4.5 m (14.8 ft)	kg				*3,350	3,240			*2,310	*2,310	5.42
	lb				*7,390	7,140			*5,090	*5,090	(17.8)
3.0 m (9.8 ft)	kg		*5,290	*5,290	*3,930	3,110	*2,460	1,990	*2,270	1,980	6.03
	lb		*11,660	*11,660	*8,660	6,860	*5,420	4,390	*5,000	4,370	(19.8)
1.5 m (4.9 ft)	kg		*7,360	5,320	4,040	2,940	2,610	1,940	*2,390	1,840	6.22
	lb		*16,230	11,730	8,910	6,480	5,750	4,280	*5,270	4,060	(20.4)
0.0 m (0.0 ft)	kg		*7,220	5,140	3,910	2,830	2,570	1,900	2,540	1,890	6.04
	lb		*15,920	11,330	8,620	6,240	5,670	4,190	5,600	4,170	(19.8)
-1.5 m (-4.9 ft)	kg	*5,320	*5,320	7,720	5,150	3,890	2,810		2,950	2,180	5.44
	lb	*11,730	*11,730	17,020	11,350	8,580	6,190		6,500	4,810	(17.8)
-3.0 m (-9.8 ft)	kg			*6,500	5,280				*4,350	3,140	4.26
	lb			*14,330	11,640				*9,590	6,920	(14.0)

4.30 m (14' 1") boom, 1.96 m (6' 5") arm equipped with 2,100kg counter weight and 600mm(24") Triple grouser shoe with Dozer Down.

Lift-point height (m/ft)	Lift-point radius								At max. reach		
	1.5 m (4.9 ft)		3.0 m (9.8 ft)		4.5 m (14.8 ft)		6.0 m (19.7 ft)		Capacity	Reach	
											m (ft)
6.0 m (19.7 ft)	kg								*2,620	*2,620	4.21
	lb								*5,780	*5,780	(13.8)
4.5 m (14.8 ft)	kg				*3,350	*3,350			*2,310	*2,310	5.42
	lb				*7,390	*7,390			*5,090	*5,090	(17.8)
3.0 m (9.8 ft)	kg		*5,290	*5,290	*3,930	3,370	*2,460	2,150	*2,270	2,140	6.03
	lb		*11,660	*11,660	*8,660	7,430	*5,420	4,740	*5,000	4,720	(19.8)
1.5 m (4.9 ft)	kg		*7,360	5,870	4,730	3,200	*3,780	2,100	*2,390	1,990	6.22
	lb		*16,230	12,940	*10,430	7,050	*8,330	4,630	*5,270	4,390	(20.4)
0.0 m (0.0 ft)	kg		*7,220	5,680	*5,280	3,080	*3,100	2,060	*2,730	2,050	6.04
	lb		*15,920	12,520	*11,640	6,790	*6,830	4,540	*6,020	4,520	(19.8)
-1.5 m (-4.9 ft)	kg	*5,320	*5,320	*7,920	5,690	*5,260	3,060		*3,490	2,360	5.44
	lb	*11,730	*11,730	*17,460	12,540	*11,600	6,750		*7,690	5,200	(17.8)
-3.0 m (-9.8 ft)	kg			*6,500	5,820				*4,350	3,420	4.26
	lb			*14,330	12,830				*9,590	7,540	(14.0)

- 1 | Lifting capacity are based on ISO 10567.
- 2 | Lifting capacity of HX Series does not exceed 75% of tipping load with the machine on firm, level ground or 87% of full hydraulic capacity.
- 3 | The Lift-point is bucket pivot mounting pin on the arm(without bucket mass).
- 4 | (\*) indicates load limited by hydraulic capacity.



# LIFTING CAPACITY

Rating over-front Rating over-side or 360 degree

## HX130A LCR MONO BOOM

4.30 m (14' 1") boom, 1.96 m (6' 5") arm equipped with 2,450kg counter weight and 600mm(24") Triple grouser shoe without Dozer.

Lift-point height (m/ft)	Lift-point radius								At max. reach		
	1.5 m (4.9 ft)		3.0 m (9.8 ft)		4.5 m (14.8 ft)		6.0 m (19.7 ft)		Capacity	Reach	
6.0 m (19.7 ft)	kg								*2,620	*2,620	4.21
	lb								*5,780	*5,780	(13.8)
4.5 m (14.8 ft)	kg			*3,340	3,240				*2,310	*2,310	5.42
	lb			*7,360	7,140				*5,090	*5,090	(17.8)
3.0 m (9.8 ft)	kg		*5,290	*5,290	*3,920	3,110	*2,450	1,990	*2,270	1,980	6.03
	lb		*11,660	*11,660	*8,640	6,860	*5,400	4,390	*5,000	4,370	(19.8)
1.5 m (4.9 ft)	kg		*7,380	5,320	4,300	2,940	2,790	1,940	*2,390	1,840	6.22
	lb		*16,270	11,730	9,480	6,480	6,150	4,280	*5,270	4,060	(20.4)
0.0 m (0.0 ft)	kg		*7,210	5,140	4,180	2,830	2,750	1,900	2,720	1,880	6.04
	lb		*15,900	11,330	9,220	6,240	6,060	4,190	6,000	4,140	(19.8)
-1.5 m (-4.9 ft)	kg	*5,310	*5,310	*7,920	5,140	4,150	2,800		3,160	2,170	5.44
	lb	*11,710	*11,710	*17,460	11,330	9,150	6,170		6,970	4,780	(17.9)
-3.0 m (-9.8 ft)	kg			*6,500	5,270				*4,350	3,130	4.26
	lb			*14,330	11,620				*9,590	6,900	(14.0)

4.30 m (14' 1") boom, 1.96 m (6' 5") arm equipped with 2,450kg counter weight and 600mm(24") Triple grouser shoe with Dozer Up.

Lift-point height (m/ft)	Lift-point radius								At max. reach		
	1.5 m (4.9 ft)		3.0 m (9.8 ft)		4.5 m (14.8 ft)		6.0 m (19.7 ft)		Capacity	Reach	
6.0 m (19.7 ft)	kg								*2,620	*2,620	4.21
	lb								*5,780	*5,780	(13.8)
4.5 m (14.8 ft)	kg			*3,350	*3,350				*2,310	*2,310	5.42
	lb			*7,390	*7,390				*5,090	*5,090	(17.8)
3.0 m (9.8 ft)	kg		*5,290	*5,290	*3,930	3,290	*2,460	2,120	*2,270	2,100	6.03
	lb		*11,660	*11,660	*8,660	7,250	*5,420	4,670	*5,000	4,630	(19.8)
1.5 m (4.9 ft)	kg		*7,360	5,640	4,260	3,120	2,760	2,070	*2,390	1,960	6.22
	lb		*16,230	12,430	9,390	6,880	6,080	4,560	*5,270	4,320	(20.4)
0.0 m (0.0 ft)	kg		*7,220	5,460	4,140	3,010	2,720	2,030	2,700	2,010	6.04
	lb		*15,920	12,040	9,130	6,640	6,000	4,480	5,950	4,430	(19.8)
-1.5 m (-4.9 ft)	kg	*5,320	*5,320	*7,920	5,470	4,110	2,990		3,130	2,320	5.44
	lb	*11,730	*11,730	*17,460	12,060	9,060	6,590		6,900	5,110	(17.8)
-3.0 m (-9.8 ft)	kg			*6,500	5,600				*4,350	3,330	4.26
	lb			*14,330	12,350				*9,590	7,340	(14.0)

4.30 m (14' 1") boom, 1.96 m (6' 5") arm equipped with 2,450kg counter weight and 600mm(24") Triple grouser shoe with Dozer Down.

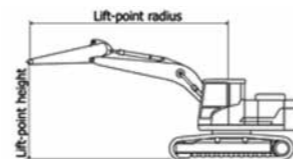
Lift-point height (m/ft)	Lift-point radius								At max. reach		
	1.5 m (4.9 ft)		3.0 m (9.8 ft)		4.5 m (14.8 ft)		6.0 m (19.7 ft)		Capacity	Reach	
6.0 m (19.7 ft)	kg								*2,620	*2,620	4.21
	lb								*5,780	*5,780	(13.8)
4.5 m (14.8 ft)	kg			*3,350	*3,350				*2,310	*2,310	5.42
	lb			*7,390	*7,390				*5,090	*5,090	(17.8)
3.0 m (9.8 ft)	kg		*5,290	*5,290	*3,930	3,560	*2,460	2,280	*2,270	*2,270	6.03
	lb		*11,660	*11,660	*8,660	7,850	*5,420	5,030	*5,000	*5,000	(19.8)
1.5 m (4.9 ft)	kg		*7,360	6,210	*4,730	3,390	*3,780	2,230	*2,390	2,120	6.22
	lb		*16,230	13,690	*10,430	7,470	*8,330	4,920	*5,270	4,670	(20.4)
0.0 m (0.0 ft)	kg		*7,220	6,020	*5,280	3,270	*3,100	2,190	*2,730	2,180	6.04
	lb		*15,920	13,270	*11,640	7,210	*6,830	4,830	*6,020	4,810	(19.8)
-1.5 m (-4.9 ft)	kg	*5,320	*5,320	*7,920	6,030	*5,260	3,250		*3,490	2,510	5.44
	lb	*11,730	*11,730	*17,460	13,290	*11,600	7,170		*7,690	5,530	(17.8)
-3.0 m (-9.8 ft)	kg			*6,500	6,160				*4,350	3,620	4.26
	lb			*14,330	13,580				*9,590	7,980	(14.0)

1 | Lifting capacity are based on ISO 10567.

2 | Lifting capacity of HX Series does not exceed 75% of tipping load with the machine on firm, level ground or 87% of full hydraulic capacity.

3 | The Lift-point is bucket pivot mounting pin on the arm(without bucket mass).

4 | (\*) indicates load limited by hydraulic capacity.



Rating over-front Rating over-side or 360 degree

## HX130A LCR MONO BOOM

4.30 m (14' 1") boom, 2.26 m (7' 5") arm equipped with 2,100kg counter weight and 600mm(24") Triple grouser shoe without Dozer.

Lift-point height (m/ft)	Lift-point radius								At max. reach		
	1.5 m (4.9 ft)		3.0 m (9.8 ft)		4.5 m (14.8 ft)		6.0 m (19.7 ft)		Capacity	Reach	
6.0 m (19.7 ft)	kg								*2,730	*2,730	4.62
	lb								*6,020	*6,020	(15.1)
4.5 m (14.8 ft)	kg			*3,070	*3,070				*2,110	2,050	5.74
	lb			*6,770	*6,770				*4,650	4,520	(18.8)
3.0 m (9.8 ft)	kg		*4,770	*4,770	*3,690	2,950	2,700	1,880	*2,070	1,720	6.31
	lb		*10,520	*10,520	*8,140	6,500	5,950	4,140	*4,560	3,790	(20.7)
1.5 m (4.9 ft)	kg		*7,100	5,060	4,090	2,770	2,630	1,810	*2,180	1,600	6.50
	lb		*15,650	11,160	9,020	6,110	5,800	3,990	*4,810	3,530	(21.3)
0.0 m (0.0 ft)	kg		*7,500	4,810	3,950	2,640	2,580	1,760	2,390	1,640	6.32
	lb		*16,530	10,600	8,710	5,820	5,690	3,880	5,270	3,620	(20.7)
-1.5 m (-4.9 ft)	kg	*4,830	*4,830	*7,750	4,780	3,900	2,600		2,730	1,860	5.76
	lb	*10,650	*10,650	*17,090	10,540	8,600	5,730		6,020	4,100	(18.9)
-3.0 m (-9.8 ft)	kg	*9,240	*9,240	*6,920	4,890	3,970	2,670		3,780	2,550	4.66
	lb	*20,370	*20,370	*15,260	10,780	8,750	5,890		8,330	5,620	(15.3)

4.30 m (14' 1") boom, 2.26 m (7' 5") arm equipped with 2,100kg counter weight and 600mm(24") Triple grouser shoe with Dozer Up.

Lift-point height (m/ft)	Lift-point radius								At max. reach		
	1.5 m (4.9 ft)		3.0 m (9.8 ft)		4.5 m (14.8 ft)		6.0 m (19.7 ft)		Capacity	Reach	
6.0 m (19.7 ft)	kg								*2,740	*2,740	4.62
	lb								*6,040	*6,040	(15.2)
4.5 m (14.8 ft)	kg			*3,070	*3,070				*2,110	*2,110	5.74
	lb			*6,770	*6,770				*4,650	*4,650	(18.8)
3.0 m (9.8 ft)	kg		*4,780	*4,780	*3,690	3,130	2,680	2,000	*2,070	1,840	6.31
	lb		*10,540	*10,540	*8,140	6,900	5,910	4,410	*4,560	4,060	(20.7)
1.5 m (4.9 ft)	kg		*7,110	5,380	4,050	2,950	2,610	1,940	*2,180	1,720	6.50
	lb		*15,670	11,860	8,930	6,500	5,750	4,280	*4,810	3,790	(21.3)
0.0 m (0.0 ft)	kg		*7,510	5,130	3,910	2,820	2,550	1,890	2,370	1,750	6.32
	lb		*16,560	11,310	8,620	6,220	5,620	4,170	5,220	3,860	(20.7)
-1.5 m (-4.9 ft)	kg	*4,840	*4,840	*7,670	5,110	3,860	2,780		2,700	1,990	5.76
	lb	*10,670	*10,670	*16,910	11,270	8,510	6,130		5,950	4,390	(18.9)
-3.0 m (-9.8 ft)	kg	*9,260	*9,260	*6,910	5,210	3,940	2,850		3,750	2,720	4.66
	lb	*20,410	*20,410	*15,230	11,490	8,690	6,280		8,270	6,000	(15.3)

4.30 m (14' 1") boom, 2.26 m (7' 5") arm equipped with 2,100kg counter weight and 600mm(24") Triple grouser shoe with Dozer Down.

Lift-point height (m/ft)	Lift-point radius								At max. reach		
	1.5 m (4.9 ft)		3.0 m (9.8 ft)		4.5 m (14.8 ft)		6.0 m (19.7 ft)		Capacity	Reach	
6.0 m (19.7 ft)	kg								*2,740	*2,740	4.62
	lb								*6,040	*6,040	(15.2)
4.5 m (14.8 ft)	kg			*3,070	*3,070				*2,110	*2,110	5.74
	lb			*6,770	*6,770				*4,650	*4,650	(18.8)
3.0 m (9.8 ft)	kg		*4,780	*4,780	*3,690	3,390	*3,300	2,170	*2,070	1,990	6.31
	lb		*10,540	*10,540	*8,140	7,470	*7,280	4,780	*4,560	4,390	(20.7)
1.5 m (4.9 ft)	kg		*7,110	5,930	*4,540	3,210	*3,650	2,100	*2,180	1,860	6.50
	lb		*15,670	13,070	*10,010	7,080	*8,050	4,630	*4,810	4,100	(21.3)
0.0 m (0.0 ft)	kg		*7,510	5,670							

# LIFTING CAPACITY

Rating over-front Rating over-side or 360 degree

## HX130A LCR MONO BOOM

4.30 m (14' 1") boom, 2.26 m (7' 5") arm equipped with 2,450kg counter weight and 600mm(24") Triple grouser shoe without Dozer.

Lift-point height (m/ft)		Lift-point radius								At max. reach		
		1.5 m (4.9 ft)		3.0 m (9.8 ft)		4.5 m (14.8 ft)		6.0 m (19.7 ft)		Capacity		Reach
												m (ft)
6.0 m (19.7 ft)	kg					*2,730	*2,730			*2,360	*2,360	4.62
	lb					*6,020	*6,020			*5,200	*5,200	(15.1)
4.5 m (14.8 ft)	kg					*3,070	*3,070			*2,110	*2,110	5.74
	lb					*6,770	*6,770			*4,650	*4,650	(18.8)
3.0 m (9.8 ft)	kg			*4,770	*4,770	*3,690	3,130	2,860	2,000	*2,070	1,840	6.31
	lb			*10,520	*10,520	*8,140	6,900	6,310	4,410	*4,560	4,060	(20.7)
1.5 m (4.9 ft)	kg			*7,100	5,380	4,320	2,950	2,790	1,940	*2,180	1,720	6.50
	lb			*15,650	11,860	9,520	6,500	6,150	4,280	*4,810	3,790	(21.3)
0.0 m (0.0 ft)	kg			*7,500	5,130	4,170	2,820	2,730	1,890	*2,460	1,750	6.32
	lb			*16,530	11,310	9,190	6,220	6,020	4,170	*5,420	3,860	(20.7)
-1.5 m (-4.9 ft)	kg	*4,830	*4,830	*8,060	5,100	4,130	2,780			2,890	1,990	5.76
	lb	*10,650	*10,650	*17,770	11,240	9,110	6,130			6,370	4,390	(18.9)
-3.0 m (-9.8 ft)	kg	*9,240	*9,240	*6,920	5,200	4,200	2,850			3,990	2,720	4.66
	lb	*20,370	*20,370	*15,260	11,460	9,260	6,280			8,800	6,000	(15.3)

4.30 m (14' 1") boom, 2.26 m (7' 5") arm equipped with 2,450kg counter weight and 600mm(24") Triple grouser shoe with Dozer Up.

Lift-point height (m/ft)		Lift-point radius								At max. reach		
		1.5 m (4.9 ft)		3.0 m (9.8 ft)		4.5 m (14.8 ft)		6.0 m (19.7 ft)		Capacity		Reach
												m (ft)
6.0 m (19.7 ft)	kg					*2,740	*2,740			*2,350	*2,350	4.62
	lb					*6,040	*6,040			*5,180	*5,180	(15.2)
4.5 m (14.8 ft)	kg					*3,070	*3,070			*2,110	*2,110	5.74
	lb					*6,770	*6,770			*4,650	*4,650	(18.8)
3.0 m (9.8 ft)	kg			*4,780	*4,780	*3,690	3,310	2,830	2,130	*2,070	1,960	6.31
	lb			*10,540	*10,540	*8,140	7,300	6,240	4,700	*4,560	4,320	(20.7)
1.5 m (4.9 ft)	kg			*7,110	5,700	4,280	3,130	2,760	2,070	*2,180	1,830	6.50
	lb			*15,670	12,570	9,440	6,900	6,080	4,560	*4,810	4,030	(21.3)
0.0 m (0.0 ft)	kg			*7,510	5,450	4,130	3,000	2,700	2,010	*2,460	1,870	6.32
	lb			*16,560	12,020	9,110	6,610	5,950	4,430	*5,420	4,120	(20.7)
-1.5 m (-4.9 ft)	kg	*4,840	*4,840	*8,060	5,420	4,090	2,960			2,860	2,120	5.76
	lb	*10,670	*10,670	*17,770	11,950	9,020	6,530			6,310	4,670	(18.9)
-3.0 m (-9.8 ft)	kg	*9,260	*9,260	*6,910	5,530	4,160	3,030			3,960	2,900	4.66
	lb	*20,410	*20,410	*15,230	12,190	9,170	6,680			8,730	6,390	(15.3)

4.30 m (14' 1") boom, 2.26 m (7' 5") arm equipped with 2,450kg counter weight and 600mm(24") Triple grouser shoe with Dozer Down.

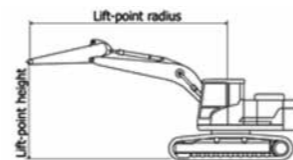
Lift-point height (m/ft)		Lift-point radius								At max. reach		
		1.5 m (4.9 ft)		3.0 m (9.8 ft)		4.5 m (14.8 ft)		6.0 m (19.7 ft)		Capacity		Reach
												m (ft)
6.0 m (19.7 ft)	kg					*2,740	*2,740			*2,350	*2,350	4.62
	lb					*6,040	*6,040			*5,180	*5,180	(15.2)
4.5 m (14.8 ft)	kg					*3,070	*3,070			*2,110	*2,110	5.74
	lb					*6,770	*6,770			*4,650	*4,650	(18.8)
3.0 m (9.8 ft)	kg			*4,780	*4,780	*3,690	3,580	*3,300	2,300	*2,070	*2,070	6.31
	lb			*10,540	*10,540	*8,140	7,890	*7,280	5,070	*4,560	*4,560	(20.7)
1.5 m (4.9 ft)	kg			*7,110	6,270	*4,540	3,400	*3,650	2,230	*2,180	1,980	6.50
	lb			*15,670	13,820	*10,010	7,500	*8,050	4,920	*4,810	4,370	(21.3)
0.0 m (0.0 ft)	kg			*7,510	6,010	*5,180	3,260	*3,900	2,180	*2,460	2,030	6.32
	lb			*16,560	13,250	*11,420	7,190	*8,600	4,810	*5,420	4,480	(20.7)
-1.5 m (-4.9 ft)	kg	*4,840	*4,840	*8,060	5,980	*5,300	3,220			*3,070	2,300	5.76
	lb	*10,670	*10,670	*17,770	13,180	*11,680	7,100			*6,770	5,070	(18.9)
-3.0 m (-9.8 ft)	kg	*9,260	*9,260	*6,910	6,090	*4,440	3,290			*4,180	3,140	4.66
	lb	*20,410	*20,410	*15,230	13,430	*9,790	7,250			*9,220	6,920	(15.3)

1 | Lifting capacity are based on ISO 10567.

2 | Lifting capacity of HX Series does not exceed 75% of tipping load with the machine on firm, level ground or 87% of full hydraulic capacity.

3 | The Lift-point is bucket pivot mounting pin on the arm(without bucket mass).

4 | (\*) indicates load limited by hydraulic capacity.



Rating over-front Rating over-side or 360 degree

## HX130A LCR MONO BOOM

4.30 m (14' 1") boom, 2.81 m (9' 3") arm equipped with 2,100kg counter weight and 600mm(24") Triple grouser shoe without Dozer.

Lift-point height (m/ft)		Lift-point radius								At max. reach		
		1.5 m (4.9 ft)		3.0 m (9.8 ft)		4.5 m (14.8 ft)		6.0 m (19.7 ft)		Capacity		Reach
												m (ft)
6.0 m (19.7 ft)	kg					*2,480	*2,480			*1,770	*1,770	5.34
	lb					*5,470	*5,470			*3,900	*3,900	(17.5)
4.5 m (14.8 ft)	kg					*2,560	*2,560	*2,380	1,940	*1,610	*1,610	6.33
	lb					*5,640	*5,640	*5,250	4,280	*3,550	*3,550	(20.8)
3.0 m (9.8 ft)	kg			*3,790	*3,790	*3,210	3,000	2,720	1,890	*1,590	1,500	6.86
	lb			*8,360	*8,360	*7,080	6,610	6,000	4,170	*3,510	3,310	(22.5)
1.5 m (4.9 ft)	kg			*6,250	5,190	4,120	2,800	2,630	1,810	*1,660	1,410	7.03
	lb			*13,780	11,440	9,080	6,170	5,800	3,990	*3,660	3,110	(23.1)
0.0 m (0.0 ft)	kg			7,800	4,820	3,940	2,630	2,560	1,740	*1,840	1,420	6.87
	lb			17,200	10,630	8,690	5,800	5,640	3,840	*4,060	3,130	(22.5)
-1.5 m (-4.9 ft)	kg	*4,140	*4,140	7,680	4,720	3,860	2,560	2,520	1,710	*2,220	1,580	6.35
	lb	*9,130	*9,130	16,930	10,410	8,510	5,640	5,560	3,770	*4,890	3,480	(20.8)
-3.0 m (-9.8 ft)	kg	*7,280	*7,280	*7,470	4,770	3,880	2,580			2,990	2,020	5.38
	lb	*16,050	*16,050	*16,470	10,520	8,550	5,690			6,590	4,450	(17.6)

4.30 m (14' 1") boom, 2.81 m (9' 3") arm equipped with 2,100kg counter weight and 600mm(24") Triple grouser shoe with Dozer Up.

Lift-point height (m/ft)		Lift-point radius								At max. reach		
		1.5 m (4.9 ft)		3.0 m (9.8 ft)		4.5 m (14.8 ft)		6.0 m (19.7 ft)		Capacity		Reach
												m (ft)
6.0 m (19.7 ft)	kg					*2,480	*2,480			*1,770	*1,770	5.34
	lb					*5,470	*5,470			*3,900	*3,900	(17.5)
4.5 m (14.8 ft)	kg					*2,560	*2,560	*2,380	2,060	*1,610	*1,610	6.33
	lb					*5,640	*5,640	*5,250	4,540	*3,550	*3,550	(20.8)
3.0 m (9.8 ft)	kg			*3,800	*3,800	*3,220	3,180	2,690	2,020	*1,590	*1,590	6.86
	lb			*8,380	*8,380	*7,100	7,010	5,930	4,450	*3,510	*3,510	(22.5)
1.5 m (4.9 ft)	kg			*6,260	5,510	4,080	2,980	2,610	1,940	*1,660	1,510	7.03
	lb			*13,800	12,150	8,990	6,570	5,750	4,280	*3,660	3,330	(23.1)
0.0 m (0.0 ft)	kg			7,730	5,140	3,900	2,810	2,530	1,860	*1,840	1,530	6.87
	lb			17,040	11,330	8,600	6,190	5,580	4,100	*4,060	3,370	(22.5)
-1.5 m (-4.9 ft)	kg	*4,140	*4,140	7,600	5,040	3,820	2,740	2,500	1,830	*2,220	1,700	6.35
	lb	*9,130	*9,130	16,760	11,110	8,420	6,040	5,510	4,030	*4,890	3,750	(20.8)
-3.0 m (-9.8 ft)	kg	*7,290	*7,290	*7,460	5,100	3,840	2,760			2,970	2,170	5.38
	lb	*16,070	*16,070	*16,450	11,240	8,470	6,080			6,550	4,780	(17.6)

4.30 m (14' 1") boom, 2.81 m (9' 3") arm equipped with 2,100kg counter weight and 600mm(24") Triple grouser shoe with Dozer Down.

Lift-point height (m/ft)		Lift-point radius								At max. reach		
		1.5 m (4.9 ft)		3.0 m (9.8 ft)		4.5 m (14.8 ft)		6.0 m (19.7 ft)		Capacity		Reach
												m (ft)
6.0 m (19.7 ft)	kg					*2,480	*2,480			*1,770	*1,770	5.34
	lb					*5,470	*5,470			*3,900	*3,900	(17.5)
4.5 m (14.8 ft)	kg					*2,560	*2,560	*2,380	2,230	*1,610	*1,610	6.33
	lb					*5,640	*5,640	*5,250	4,920	*3,550	*3,550	(20.8)
3.0 m (9.8 ft)	kg			*3,800	*3,800	*3,220	*3,220	*2,990	2,180	*1,590	*1,590	6.86
	lb			*8,380	*8,380	*7,100	*7,100	*6,590	4,810	*3,510	*3,510	(22.5)
1.5 m (4.9 ft)	kg			*6,260	6,070	*4,150</						

# LIFTING CAPACITY

Rating over-front Rating over-side or 360 degree

Rating over-front Rating over-side or 360 degree

## HX130A LCR MONO BOOM

4.30 m (14' 1") boom, 2.81 m (9' 3") arm equipped with 2,450kg counter weight and 600mm(24") Triple grouser shoe without Dozer.

Lift-point height (m/ft)		Lift-point radius				At max. reach						
		1.5 m (4.9 ft)		3.0 m (9.8 ft)		4.5 m (14.8 ft)		6.0 m (19.7 ft)		Capacity		Reach
												m (ft)
6.0 m (19.7 ft)	kg			*2,480	*2,480					*1,770	*1,770	5.34
	lb			*5,470	*5,470					*3,900	*3,900	(17.5)
4.5 m (14.8 ft)	kg			*2,560	*2,560	*2,380	2,060	*1,610	*1,610			6.33
	lb			*5,640	*5,640	*5,250	4,540	*3,550	*3,550			(20.8)
3.0 m (9.8 ft)	kg		*3,790	*3,790	*3,210	3,180	2,870	2,020	*1,590	*1,590		6.86
	lb		*8,360	*8,360	*7,080	7,010	6,330	4,450	*3,510	*3,510		(22.5)
1.5 m (4.9 ft)	kg		*6,250	5,510	*4,150	2,980	2,790	1,930	*1,660	1,510		7.03
	lb		*13,780	12,150	*9,150	6,570	6,150	4,250	*3,660	3,330		(23.1)
0.0 m (0.0 ft)	kg		*7,830	5,140	4,170	2,810	2,710	1,860	*1,840	1,530		6.87
	lb		*17,260	11,330	9,190	6,190	5,970	4,100	*4,060	3,370		(22.5)
-1.5 m (-4.9 ft)	kg	*4,140	*4,140	8,120	5,030	4,080	2,730	2,680	1,830	*2,220	1,700	6.35
	lb	*9,130	*9,130	17,900	11,090	8,990	6,020	5,910	4,030	*4,890	3,750	(20.8)
-3.0 m (-9.8 ft)	kg	*7,280	*7,280	*7,470	5,090	4,110	2,750			*3,120	2,170	5.38
	lb	*16,050	*16,050	*16,470	11,220	9,060	6,060			*6,880	4,780	(17.6)

4.30 m (14' 1") boom, 2.81 m (9' 3") arm equipped with 2,450kg counter weight and 600mm(24") Triple grouser shoe with Dozer Up.

Lift-point height (m/ft)		Lift-point radius				At max. reach						
		1.5 m (4.9 ft)		3.0 m (9.8 ft)		4.5 m (14.8 ft)		6.0 m (19.7 ft)		Capacity		Reach
												m (ft)
6.0 m (19.7 ft)	kg			*2,480	*2,480					*1,770	*1,770	5.34
	lb			*5,470	*5,470					*3,900	*3,900	(17.5)
4.5 m (14.8 ft)	kg			*2,560	*2,560	*2,380	2,190	*1,610	*1,610			6.33
	lb			*5,640	*5,640	*5,250	4,830	*3,550	*3,550			(20.8)
3.0 m (9.8 ft)	kg		*3,800	*3,800	*3,220	3,220	2,850	2,140	*1,590	*1,590		6.86
	lb		*8,380	*8,380	*7,100	*7,100	6,280	4,720	*3,510	*3,510		(22.5)
1.5 m (4.9 ft)	kg		*6,260	5,830	*4,150	3,160	2,760	2,060	*1,660	1,610		7.03
	lb		*13,800	12,850	*9,150	6,970	6,080	4,540	*3,660	3,550		(23.1)
0.0 m (0.0 ft)	kg		*7,840	5,460	4,130	2,990	2,680	1,990	*1,840	1,640		6.87
	lb		*17,280	12,040	9,110	6,590	5,910	4,390	*4,060	3,620		(22.5)
-1.5 m (-4.9 ft)	kg	*4,140	*4,140	8,040	5,360	4,040	2,920	2,650	1,960	*2,220	1,820	6.35
	lb	*9,130	*9,130	17,730	11,820	8,910	6,440	5,840	4,320	*4,890	4,010	(20.8)
-3.0 m (-9.8 ft)	kg	*7,290	*7,290	*7,460	5,410	4,070	2,940			*3,130	2,310	5.38
	lb	*16,070	*16,070	*16,450	11,930	8,970	6,480			*6,900	5,090	(17.6)

4.30 m (14' 1") boom, 2.81 m (9' 3") arm equipped with 2,450kg counter weight and 600mm(24") Triple grouser shoe with Dozer Down.

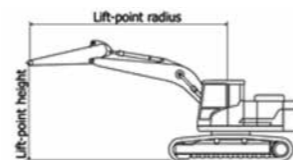
Lift-point height (m/ft)		Lift-point radius				At max. reach						
		1.5 m (4.9 ft)		3.0 m (9.8 ft)		4.5 m (14.8 ft)		6.0 m (19.7 ft)		Capacity		Reach
												m (ft)
6.0 m (19.7 ft)	kg			*2,480	*2,480					*1,770	*1,770	5.34
	lb			*5,470	*5,470					*3,900	*3,900	(17.5)
4.5 m (14.8 ft)	kg			*2,560	*2,560	*2,380	2,360	*1,610	*1,610			6.33
	lb			*5,640	*5,640	*5,250	5,200	*3,550	*3,550			(20.8)
3.0 m (9.8 ft)	kg		*3,800	*3,800	*3,220	*3,220	*2,990	2,310	*1,590	*1,590		6.86
	lb		*8,380	*8,380	*7,100	*7,100	*6,590	5,090	*3,510	*3,510		(22.5)
1.5 m (4.9 ft)	kg		*6,260	*6,260	*4,150	3,420	*3,390	2,230	*1,660	*1,660		7.03
	lb		*13,800	*13,800	*9,150	7,540	*7,470	4,920	*3,660	*3,660		(23.1)
0.0 m (0.0 ft)	kg		*7,840	6,020	*4,940	3,260	*3,750	2,160	*1,840	1,780		6.87
	lb		*17,280	13,270	*10,890	7,190	*8,270	4,760	*4,060	3,920		(22.5)
-1.5 m (-4.9 ft)	kg	*4,140	*4,140	*8,160	5,920	*5,280	3,180	*3,840	2,130	*2,220	1,970	6.35
	lb	*9,130	*9,130	*17,990	13,050	*11,640	7,010	*8,470	4,700	*4,890	4,340	(20.8)
-3.0 m (-9.8 ft)	kg	*7,290	*7,290	*7,460	5,970	*4,910	3,200			*3,130	2,510	5.38
	lb	*16,070	*16,070	*16,450	13,160	*10,820	7,050			*6,900	5,530	(17.6)

1 | Lifting capacity are based on ISO 10567.

2 | Lifting capacity of HX Series does not exceed 75% of tipping load with the machine on firm, level ground or 87% of full hydraulic capacity.

3 | The Lift-point is bucket pivot mounting pin on the arm(without bucket mass).

4 | (\*) indicates load limited by hydraulic capacity.



## HX130A LCR 2-PIECE BOOM

4.56 m (14' 11") boom, 1.96 m (6' 5") arm equipped with 2,450kg counter weight and 600mm(24") Triple grouser shoe without Dozer.

Lift-point height (m/ft)		Lift-point radius				At max. reach						
		3.0 m (9.8 ft)		4.5 m (14.8 ft)		6.0 m (19.7 ft)		Capacity		Reach		
										m (ft)		
6.0 m (19.7 ft)	kg			*3,310	3,280					*2,670	*2,670	4.66
	lb			*7,300	7,230					*5,890	*5,890	(15.3)
4.5 m (14.8 ft)	kg	*3,650	*3,650	*3,290	3,260					*2,360	2,140	5.77
	lb	*8,050	*8,050	*7,250	7,190					*5,200	4,720	(18.9)
3.0 m (9.8 ft)	kg	*5,580	*5,580	*3,900	3,080	2,850	1,970			*2,300	1,790	6.34
	lb	*12,300	*12,300	*8,600	6,790	6,280	4,340			*5,070	3,950	(20.8)
1.5 m (4.9 ft)	kg			4,270	2,870	2,770	1,890			*2,380	1,660	6.53
	lb			9,410	6,330	6,110	4,170			*5,250	3,660	(21.4)
0.0 m (0.0 ft)	kg	*4,580	*4,580	4,120	2,740	2,700	1,840			2,500	1,700	6.35
	lb	*10,100	*10,100	9,080	6,040	5,950	4,060			5,510	3,750	(20.8)
-1.5 m (-4.9 ft)	kg	*7,530	4,990	4,090	2,710					2,850	1,930	5.79
	lb	*16,600	11,000	9,020	5,970					6,280	4,250	(19.0)
-3.0 m (-9.8 ft)	kg	*6,230	5,130	*4,080	2,800							
	lb	*13,730	11,310	*8,990	6,170							

4.56 m (14' 11") boom, 1.96 m (6' 5") arm equipped with 2,450kg counter weight and 600mm(24") Triple grouser shoe with Dozer Up.

Lift-point height (m/ft)		Lift-point radius				At max. reach						
		3.0 m (9.8 ft)		4.5 m (14.8 ft)		6.0 m (19.7 ft)		Capacity		Reach		
										m (ft)		
6.0 m (19.7 ft)	kg			*3,310	*3,310					*2,670	*2,670	4.66
	lb			*7,300	*7,300					*5,890	*5,890	(15.3)
4.5 m (14.8 ft)	kg	*3,650	*3,650	*3,290	*3,290					*2,360	2,270	5.77
	lb	*8,050	*8,050	*7,250	*7,250					*5,200	5,000	(18.9)
3.0 m (9.8 ft)	kg	*5,580	*5,580	*3,900	3,270	2,820	2,100			*2,300	1,910	6.34
	lb	*12,300	*12,300	*8,600	7,210	6,220	4,630			*5,070	4,210	(20.8)
1.5 m (4.9 ft)	kg			4,230	3,050	2,740	2,020			*2,380	1,780	6.53
	lb			9,330	6,720	6,040	4,450			*5,250	3,920	(21.4)
0.0 m (0.0 ft)	kg	*4,590	*4,590	4,080	2,920	2,680	1,960			2,470	1,820	6.35
	lb	*10,120	*10,120	8,990	6,440	5,910	4,320			5,450	4,010	(20.8)
-1.5 m (-4.9 ft)	kg	*7,520	5,310	4,050	2,890					2,820	2,070	5.79
	lb	*16,580	11,710	8,930	6,370					6,220	4,560	(19.0)
-3.0 m (-9.8 ft)	kg	*6,220	5,460	*4,080	2,990							
	lb	*13,710	12,040	*8,990	6,590							

4.56 m (14' 11") boom, 1.96 m (6' 5") arm equipped with 2,450kg counter weight and 600mm(24") Triple grouser shoe with Dozer Down.

Lift-point height (m/ft)		Lift-point radius				At max. reach						
		3.0 m (9.8 ft)		4.5 m (14.8 ft)		6.0 m (19.7 ft)		Capacity		Reach		
										m (ft)		
6.0 m (19.7 ft)	kg			*3,310	*3,310					*2,670	*2,670	4.66
	lb			*7,300	*7,300					*5,890	*5,890	(15.3)
4.5 m (14.8 ft)	kg	*3,650	*3,650	*3,290	*3,290							

# LIFTING CAPACITY

Rating over-front Rating over-side or 360 degree

## HX130A LCR 2-PIECE BOOM

4.56 m (14' 11") boom, 2.26 m (7' 5") arm equipped with 2,450kg counter weight and 600mm(24") Triple grouser shoe without Dozer.

Lift-point height (m/ft)	Lift-point radius								At max. reach		
	1.5 m (4.9 ft)		3.0 m (9.8 ft)		4.5 m (14.8 ft)		6.0 m (19.7 ft)		Capacity	Reach	
7.5m (24.6 ft)	kg		*3,450	*3,450					*3,330	*3,330	3.04 (10.0)
	lb		*7,610	*7,610					*7,340	*7,340	
6.0 m (19.7 ft)	kg				*2,960	*2,960			*2,400	*2,400	5.05 (16.6)
	lb				*6,530	*6,530			*5,290	*5,290	
4.5 m (14.8 ft)	kg				*3,050	*3,050	*2,580	2,030	*2,150	1,970	6.09 (20.0)
	lb				*6,720	*6,720	*5,690	4,480	*4,740	4,340	
3.0 m (9.8 ft)	kg		*5,070	*5,070	*3,690	3,120	2,860	1,980	*2,100	1,670	6.64 (21.8)
	lb		*11,180	*11,180	*8,140	6,880	6,310	4,370	*4,630	3,680	
1.5 m (4.9 ft)	kg				4,290	2,890	2,770	1,900	*2,170	1,560	6.81 (22.4)
	lb				9,460	6,370	6,110	4,190	*4,780	3,440	
0.0 m (0.0 ft)	kg		*4,920	*4,920	4,120	2,730	2,690	1,830	2,330	1,580	6.65 (21.8)
	lb		*10,850	*10,850	9,080	6,020	5,930	4,030	5,140	3,480	
-1.5 m (-4.9 ft)	kg		*7,690	4,940	4,060	2,680	2,680	1,810	2,620	1,770	6.11 (20.1)
	lb		*16,950	10,890	8,950	5,910	5,910	3,990	5,780	3,900	
-3.0 m (-9.8 ft)	kg		*6,600	5,060	4,130	2,740			3,460	2,340	5.09 (16.7)
	lb		*14,550	11,160	9,110	6,040			7,630	5,160	

4.56 m (14' 11") boom, 2.26 m (7' 5") arm equipped with 2,450kg counter weight and 600mm(24") Triple grouser shoe with Dozer Up.

Lift-point height (m/ft)	Lift-point radius								At max. reach		
	1.5 m (4.9 ft)		3.0 m (9.8 ft)		4.5 m (14.8 ft)		6.0 m (19.7 ft)		Capacity	Reach	
7.5m (24.6 ft)	kg		*3,460	*3,460					*3,330	*3,330	3.05 (10.0)
	lb		*7,630	*7,630					*7,340	*7,340	
6.0 m (19.7 ft)	kg				*2,950	*2,950			*2,400	*2,400	5.06 (16.6)
	lb				*6,500	*6,500			*5,290	*5,290	
4.5 m (14.8 ft)	kg				*3,050	*3,050	*2,590	2,150	*2,150	2,090	6.09 (20.0)
	lb				*6,720	*6,720	*5,710	4,740	*4,740	4,610	
3.0 m (9.8 ft)	kg		*5,080	*5,080	*3,690	3,300	2,840	2,110	*2,100	1,780	6.64 (21.8)
	lb		*11,200	*11,200	*8,140	7,280	6,260	4,650	*4,630	3,920	
1.5 m (4.9 ft)	kg				4,250	3,070	2,740	2,020	*2,170	1,660	6.81 (22.4)
	lb				9,370	6,770	6,040	4,450	*4,780	3,660	
0.0 m (0.0 ft)	kg		*4,930	*4,930	4,080	2,910	2,670	1,950	2,300	1,690	6.65 (21.8)
	lb		*10,870	*10,870	8,990	6,420	5,890	4,300	5,070	3,730	
-1.5 m (-4.9 ft)	kg		*7,690	5,260	4,020	2,860	2,660	1,940	2,590	1,900	6.11 (20.1)
	lb		*16,950	11,600	8,860	6,310	5,860	4,280	5,710	4,190	
-3.0 m (-9.8 ft)	kg		*6,590	5,380	4,090	2,930			3,440	2,500	5.09 (16.7)
	lb		*14,530	11,860	9,020	6,460			7,580	5,510	

4.56 m (14' 11") boom, 2.26 m (7' 5") arm equipped with 2,450kg counter weight and 600mm(24") Triple grouser shoe with Dozer Down.

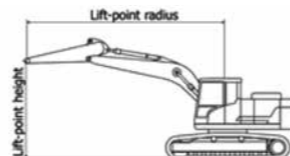
Lift-point height (m/ft)	Lift-point radius								At max. reach		
	1.5 m (4.9 ft)		3.0 m (9.8 ft)		4.5 m (14.8 ft)		6.0 m (19.7 ft)		Capacity	Reach	
7.5m (24.6 ft)	kg		*3,460	*3,460					*3,330	*3,330	3.05 (10.0)
	lb		*7,630	*7,630					*7,340	*7,340	
6.0 m (19.7 ft)	kg				*2,950	*2,950			*2,400	*2,400	5.06 (16.6)
	lb				*6,500	*6,500			*5,290	*5,290	
4.5 m (14.8 ft)	kg				*3,050	*3,050	*2,590	2,330	*2,150	*2,150	6.09 (20.0)
	lb				*6,720	*6,720	*5,710	5,140	*4,740	*4,740	
3.0 m (9.8 ft)	kg		*5,080	*5,080	*3,690	3,570	*3,200	2,280	*2,100	1,930	6.64 (21.8)
	lb		*11,200	*11,200	*8,140	7,870	*7,050	5,030	*4,630	4,250	
1.5 m (4.9 ft)	kg				4,500	3,340	*3,520	2,200	*2,170	1,810	6.81 (22.4)
	lb				*9,920	7,360	*7,760	4,850	*4,780	3,990	
0.0 m (0.0 ft)	kg		*4,930	*4,930	*5,050	3,180	*3,760	2,120	*2,390	1,840	6.65 (21.8)
	lb		*10,870	*10,870	*11,130	7,010	*8,290	4,670	*5,270	4,060	
-1.5 m (-4.9 ft)	kg		*7,690	5,830	*5,110	3,130	*3,640	2,110	*2,870	2,070	6.11 (20.1)
	lb		*16,950	12,850	*11,270	6,900	*8,020	4,650	*6,330	4,560	
-3.0 m (-9.8 ft)	kg		*6,590	5,950	*4,410	3,190			*3,600	2,720	5.09 (16.7)
	lb		*14,530	13,120	*9,720	7,030			*7,940	6,000	

1 | Lifting capacity are based on ISO 10567.

2 | Lifting capacity of HX Series does not exceed 75% of tipping load with the machine on firm, level ground or 87% of full hydraulic capacity.

3 | The Lift-point is bucket pivot mounting pin on the arm(without bucket mass).

4 | (\*) indicates load limited by hydraulic capacity.



# BUCKET SELECTION GUIDE & DIGGING FORCE

## BUCKETS

All buckets are welded with high-strength steel.



SAE Heaped  
m<sup>3</sup> (yd<sup>3</sup>)

0.58 (0.76)

0.50 (0.65)

0.59 (0.77)

\*0.50 (0.65)

\*0.61 (0.80)

Capacity m <sup>3</sup> (yd <sup>3</sup> )	Width mm (in)	Weight kg (lb)	Tooth EA	Recommendation mm (ft-in)								
				2,100 kg CWT			2,450 kg CWT					
				4,300 (14' 1") Mono Boom		4,300 (14' 1") Mono Boom		4,560 (14' 11") 2PC Boom				
				1,900 (6' 5") Arm	2,260 (7' 5") Arm	2,810 (9' 3") Arm	1,900 (6' 5") Arm	2,260 (7' 5") Arm	2,810 (9' 3") Arm	1,900 (6' 5") Arm	2,260 (7' 5") Arm	
0.58 (0.76)	0.50 (0.65)	950 (37.4")	1,110 (43.7")	438 (970)	5	●	○	■	●	○	○	○
0.50 (0.65)	0.44 (0.58)	900 (35.4")	960 (37.8")	425 (940)	4	●	●	○	●	●	●	●
0.59 (0.77)	0.52 (0.68)	1,050 (41.3")	1,110 (43.7")	473 (1,040)	5	●	○	■	●	○	■	○
*0.50 (0.65)	0.46 (0.60)	762 (30.0")	788 (31.0")	422 (930)	4	●	●	○	●	●	●	●
*0.61 (0.80)	0.56 (0.73)	914 (36.0")	940 (37.0")	474 (1,040)	5	○	■	■	●	○	■	○

\* Hammerless tooth type bucket

● : Applicable for materials with density of 2,100 kgf/m<sup>3</sup> (3,500 lbf/yd<sup>3</sup>) or less  
 ○ : Applicable for materials with density of 1,800 kgf/m<sup>3</sup> (3,000 lbf/yd<sup>3</sup>) or less  
 ■ : Applicable for materials with density of 1,500 kgf/m<sup>3</sup> (2,500 lbf/yd<sup>3</sup>) or less  
 ▲ : Applicable for materials with density of 1,200 kgf/m<sup>3</sup> (2,000 lbf/yd<sup>3</sup>) or less  
 x : Not recommended

## ATTACHMENT

Booms and arms are welded with a low-stress, full-box section design.

4.3 m mono boom, 2-piece 4.56m boom and 1.96 m, 2.26m, 2.81 m arms are available.

## DIGGING FORCE

Boom	Length	mm (ft-in)	4,300 (14' 1") Mono Boom			4,560 (14' 11") 2PC Boom		Remark
			Weight	kg (lb)	935 (2,060)		1,410 (3,110)	
Arm	Length	mm (ft-in)	1,960 (6' 5")	2,260 (7' 5")	2,810 (9' 3")	1,960 (6' 5")	2,260 (7' 5")	
	Weight	kg (lb)	573 (1,260)	601 (1,320)	664 (1,460)	573 (1,260)	601 (1,320)	
Bucket Digging Force	SAE	kN	83 [91]	84 [91]	84 [91]	83 [91]	84 [91]	[ ] : Power Boost
		kgf	8,479 [9,249]	8,511 [9,285]	8,512 [9,285]	8,479 [9,249]	8,511 [9,285]	
	lbf	18,62 [20,391]	18,764 [20,470]	18,765 [20,471]	18,692 [20,391]	18,764 [20,470]		
	ISO	kN	98 [107]	98 [107]	98 [107]	98 [107]	98 [107]	
Arm Crowd Force	SAE	kgf	9,952 [10,857]	9,990 [10,899]	9,991 [10,899]	9,952 [10,857]	9,990 [10,899]	
		lbf	21,940 [23,934]	22,025 [24,027]	22,026 [24,029]	21,940 [23,934]	22,025 [24,027]	
	ISO	kN	59 [65]	55 [60]	48 [52]	59 [65]	55 [60]	
	kgf	6,055 [6,605]	5,613 [6,123]	4,851 [5,292]	6,055 [6,605]	5,613 [6,123]		
ISO	lbf	13,349 [14,562]	12,374 [13,499]	10,695 [11,667]	13,349 [14,562]	12,374 [13,499]		
	kN	62 [68]	58 [63]	50 [54]	62 [68]	58 [63]		
ISO	kgf	6,364 [6,943]	5,877 [6,411]	5,044 [5,503]	6,364 [6,943]	5,877 [6,411]		
	lbf	14,031 [15,306]	12,957 [14,134]	11,121 [12,132]	14,031 [15,306]	12,957 [14,134]		

Note : Boom weight includes arm cylinder, piping, and pin  
 Arm weight includes bucket cylinder, linkage, and pin

# STANDARD / OPTION

ENGINE	STD	OPT
Cummins F3.8		
Engine Auto Idle	●	
Engine Auto Shutdown Control	●	
Emergency Engine Stop Switch	●	
HYDRAULIC SYSTEM	STD	OPT
Intelligent Power Control (IPC) Upgrade		
3-Power Mode, 2-Work Mode, User Mode	●	
Variable Power Control	●	
Pump Flow Control	●	
Attachment Mode Flow Control		●
Hyundai Bio Hydraulic oil (HBHO)		●
CAB & INTERIOR	STD	OPT
ISO Standard Cabin		
Rise-Up Type Windshield Wiper	●	
Radio / USB Player	●	
Handsfree Mobile Phone System with USB	●	
12V Power Outlet (24V DC to 12V DC converter)	●	
Electric Horn	●	
All-Weather Steel Cab with 360° Visibility	●	
Safety glass - Tempered glass	●	
Safety glass - Tempered glass with front laminated glass		●
Sliding Fold-In Front Window	●	
Sliding Side Window (LH)	●	
Lockable Door	●	
Storage Compartment	●	
Ashtray & Cigar Lighter		●
Transparent Cabin Roof-Cover	●	
Sun Visor	●	
Door And Cab Locks, One Key	●	
Mechanical Suspension Seat With Heater	●	
Pilot-Operated Slidable Joystick	●	
Console Box Height Adjust System	●	
Automatic Climate Control		
Air Conditioner & Heater	●	
Defroster	●	
Starting Aid (Air Grid Heater) for Cold Weather	●	
Centralized Monitoring		
8" LCD Display	●	
Engine Speed or Trip Meter / Accel.	●	
Engine Coolant Temperature Gauge	●	
Max Power	●	
Low Speed / High Speed	●	
Auto Idle	●	
Overload warning with alarm		●
Check Engine	●	
Air Cleaner Clogging	●	
Indicators	●	
ECO Gauges	●	
Fuel Level Gauge	●	
Hyd. Oil Temperature Gauge	●	
Fuel Warmer	●	
Warnings	●	
Communication Error	●	
Low Battery	●	
Clock	●	
Cabin Lights	●	
Cabin Front Window Rain Guard		●
Cabin Roof-Steel Cover		●
Seat		
Adjustable Air Suspension Seat With Heater		●
Cabin FOG (ISO 10262) Level 2		
FOG (Falling Object Protective Structure) - ISO 10262 Level 2		●
Cabin ROPS (ISO 12117-2)		
ROPS (Roll Over Protective Structures) - ISO 12117-2	●	

SAFETY	STD	OPT
Lifting Mode	●	
Auto Safety Lock	●	
Seatbelt Warning Alarm	●	
Battery Master Switch	●	
Rear View Camera		●
Rear & RH View Camera		●
AAVM (Advanced Around View Monitoring)		●
Four Front Working Lights (2 Boom Mounted, 2 Front Frame Mounted)	●	
Travel Alarm	●	
Beacon Lamp		●
Automatic Swing Brake	●	
Boom Holding System	●	
Arm Holding System	●	
Safety Lock Valve For Boom Cylinder With Overload Warning Device		●
Safety Lock Valve For Arm Cylinder		●
Swing Lock System		●
Three Outside Rearview Mirror	●	
Guardrail - Boxing Ring		●
ATTACHMENT	STD	OPT
Booms		
4.3 m, 14' 1" Mono	●	
4.56 m, 14' 11" 2-Piece		●
Arms		
1.96 m, 6' 5"		●
2.26 m, 7' 5"	●	
2.81 m, 9' 3"		●
OTHER	STD	OPT
Fuel Pre-Filter	●	
Fuel Warmer	●	
Pre-Cleaner		●
Coolant Heater		●
Self-Diagnostics System	●	
Hi MATE (Remote Management System)		●
Batteries (2 × 12 V × 100 AH)	●	
Fuel Filler Pump (20 lpm)		●
Single-Acting Piping Kit (Breaker, Etc.)		●
Double-Acting Piping Kit (Clamshell, Etc.)		●
Proportional Auxiliary Hydraulic System		●
2 Way Proportional RCV & Pedal Control Selection		●
Rotating Piping Kit		●
Bucket Line Dividing Kit		●
Air Compressor		●
Quick Coupler Piping		●
Quick Coupler		●
One Pedal Straight Travel System		●
Accumulator For Lowering Work Equipment	●	
Pattern Change Valve (2 Patterns)		●
Fine (Cushion/Free) Swing Control		●
Tool Kit		●
UNDERCARRIAGE	STD	OPT
Lower Frame Under Cover	●	
Track Shoes		
Triple Grousers Shoes (500 mm, 20")		●
Triple Grousers Shoes (600 mm, 24")	●	
Triple Grousers Shoes (600 mm, 24") - HD Type		●
Triple Grousers Shoe (700 mm, 28" )		●
Triple Grousers Shoe (700 mm, 28" ) - HD Type		●
Rubber Pad (500 mm, 20")		●
Track Guard	●	

\* Standard and optional equipment may vary. Contact your Hyundai dealer for more information. The machine may vary according to International standards.  
 \* The photos may include attachments and optional equipment that are not available in your area.  
 \* Materials and specifications are subject to change without advance notice.  
 \* All imperial measurements rounded off to the nearest pound or inch.

# MEMO